

CABLE THERMOCOUPLE

Type XI-TTE570

Cable thermocouple with mounting flange. Temperature measurement in air ducts and air conditioning systems. Temperature range of the sensor depends on insulation of connection cable. T

The sensor consists of thermocouple cable, protection tube with mounting flange and connection cable.

Insertion length, construction type, thermocouple type, accuracy and cable insulation can be selected individually for the respective application.

TECHNICAL DATA

Description

- Intrinsicly safe for mines M1, gas G and dust D atmospheres
- Single and double TC
- Process connection: flange with two holes $\varnothing 3.7$ mm

Design temperature range

-10.. +105°C	with cable in PVC
-50.. +180°C	with cable in silicone rubber
-50.. +260°C	with cable in teflon® PFA
-50.. +400°C	with cable in fiberglass

Sensing element

1x or 2x NiCr-NiAl	K	acc. to EN 60584-2 class 1, 2
1x or 2x NiCrSi-NiSi	N	acc. to EN 60584-2 class 1, 2
1x or 2x Fe-CuNi	J	acc. to EN 60584-2 class 1, 2
1x or 2x NiCr-CuNi	E	acc. to EN 60584-2 class 1, 2
1x or 2x Cu-CuNi	T	acc. to EN 60584-2 class 1, 2

Protection tube

Material	stainless steel 1.4541*
Diameter [mm]	$\varnothing 3, \varnothing 4, \varnothing 5, \varnothing 6, \varnothing 8^*$
Length L [mm]	custom

Connection cable

JJ	PVC / PVC (up to +105°C)
SLSL	silicone / silicone (up to +180°C)
TT	teflon® PFA / teflon® PFA (up to +260°C)
TCuT	teflon® FEP / Cu braid / teflon® FEP (up to +205°C)
GLGLP	fiberglass / fiberglass / steel braid (up to +400°C)

Remarks

* other parameters upon request

ATEX Marking:

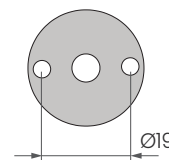
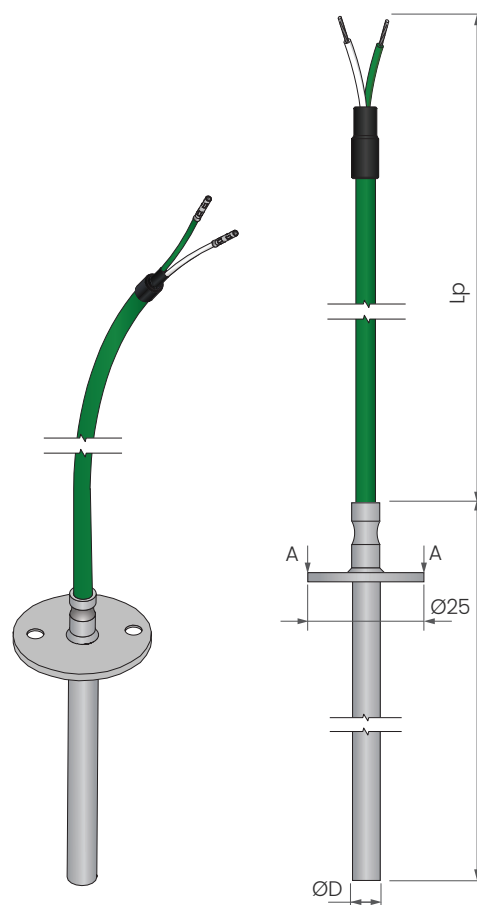
- CE I M1 Ex ia I Ma
- CE II 1/2 G Ex ia II C T... Ga/Gb
- CE II 1/2 D Ex ia II C T... Da/Db

IECEx Marking:

- Ex ia I Ma
- Ex ia IIC T ...Ga
- Ex ia IIIC T ...Da

EAC Ex Marking:

- PO Ex ia I Ma X
- 0Ex ia IIC T...Ga X
- 0Ex ia IIIC T...Da X



Temperature range of the sensor depends on insulation of connection cable.

Connection cable	cross	diameter	code
up to +105°C. PVC / PVC	2 x 0.22 mm ²	Ø4.0 Ø5.0 Ø5.0 Ø6.0	JJ-2x0.22mm ² JJ-2x0.44mm ² JJ-4x0.50mm ² JJ-2x0.75mm ²
up to +180°C. silicone / silicone	2 x 0.22 mm ²	Ø3.4 Ø4.5	TSL-2x0.22mm ² TSL-2x0.75mm ²
up to +400°C. fiberglass / fiberglass / steel braid	2 x 0.22 mm ² 2 x 0.50 mm ² 3x4 4x5	Ø3.6	GLGLP-2x0.22 mm ² GLGLP-2x0.50 mm ² GLGLP-2x0.75 mm ²

Connection cable	cross	diameter	code
up to +260°C. teflon® PFA / teflon® PFA	2 x 0.22 mm ² 2 x 0.50 mm ² 2 x 0.75 mm ²	1.9x2.3 1.7x3.0 2.4x4.2	TT-2x0.22mm ² TT-2x0.50mm ² TT-2x0.75mm ²
up to +205°C. teflon® FEP/Cu braid / teflon® FEP	2 x 0.22 mm ² 4 x 0.22 mm ² 2 x 0.50 mm ² 4 x 0.50 mm ² 6 x 0.50 mm ² 4 x 0.75 mm ² 6 x 0.75 mm ²	Ø2.9 Ø3.6 Ø3.8 Ø4.6 Ø5.1 Ø5.1 Ø6.3	TCuT-2x0.22 mm ² TCuT-4x0.22 mm ² TCuT-2x0.50 mm ² TCuT-4x0.50 mm ² TCuT-6x0.50 mm ² TCuT-4x0.75 mm ² TCuT-6x0.75 mm ²

Temperature sensor			XI - TTE570 - [] - [] - [] - [] - [] - []					
sensing element:	Type K Type J Type N Type E Type T	<input type="checkbox"/>	1	2	3	4	5	6
diameter D [mm]:	3, 4, 5, 6 or other*	<input type="checkbox"/>						
length L [mm]:	custom	<input type="checkbox"/>						
cable length L _p [mm]:	custom	<input type="checkbox"/>						
TC class:	1, 2	<input type="checkbox"/>						
cable insulation	(see specification)	<input type="checkbox"/>						

EXAMPLE: Temperature sensor XI-TTE570-J-4-100-1500-1-TT

Temperature sensor XI-TTE570-K-6-50-3000-1-GLGLP