

CABLE THERMOCOUPLE

Type XI-TTE50244

Thermocouple with hose-clip. Temperature measurement on pipelines and other cylindrical elements. Temperature range of the sensor depends on insulation of connection cable.

Thermocouples of this series are designed for mounting on pipelines and other cylindrical elements. The sensor consists of thermocouple cable and protection tube with hose-clip.

Thermocouple type, accuracy, cable insulation can be selected individually for the respective application.

TECHNICAL DATA

Description

- Intrinsically safe for mines MI, gas G and dust D atmospheres
- Single and double TC

Temperature range

-10.. +105°C	with cable in PVC
-50.. +180°C	with cable in silicone rubber
-50.. +260°C	with cable in teflon® PFA
-50.. +400°C	with cable in fiberglass

Sensing element

1x or 2x NiCr-NiAl	K	acc. to EN 60584-2 class 1, 2
1x or 2x NiCrSi-NiSi	N	acc. to EN 60584-2 class 1, 2
1x or 2x Fe-CuNi	J	acc. to EN 60584-2 class 1, 2
1x or 2x NiCr-CuNi	E	acc. to EN 60584-2 class 1, 2
1x or 2x Cu-CuNi	T	acc. to EN 60584-2 class 1, 2

Hose-clip

Material	nickel plated brass
Diameter [mm]	max. Ø 100 mm

Protection tube

Material	nickel plated brass
----------	---------------------

Thermocouple cable

JJ	PVC / PVC (up to +105°C)
TPSL	teflon® / Cu braid / silicone (up to +180°C)
TT	teflon® PFA / teflon® PFA (up to +260°C)
TCuT	teflon® FEP / Cu braid / teflon® FEP (up to +205°C)
GLGLP	fiberglass / fiberglass / steel braid (up to +400°C)

Remarks

*other parameters upon request

ATEX Marking:

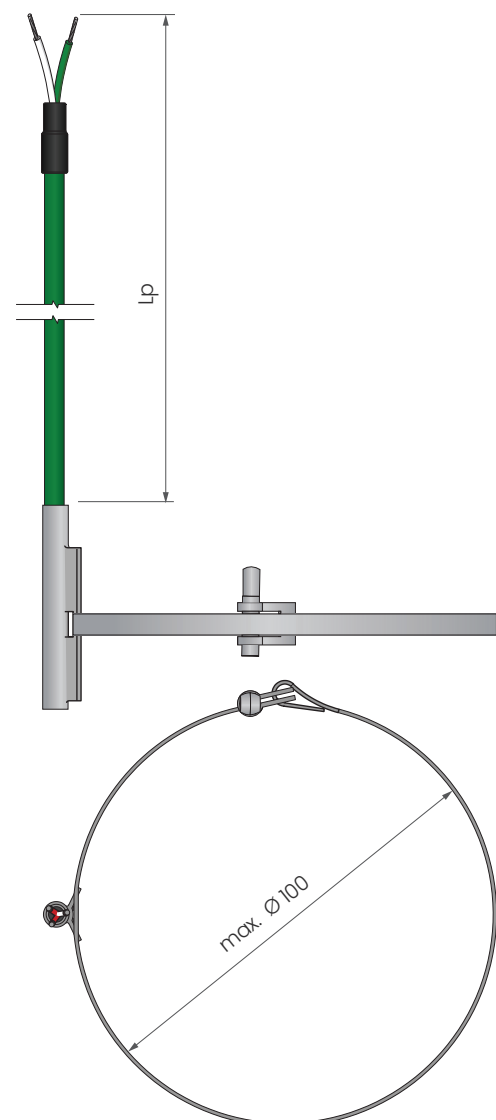
- CE I MI Ex ia I Ma
- CE II 1/2 G Ex ia II C T... Ga/Gb
- CE II 1/2 D Ex ia IIIC T... Da/Db

IECEx Marking:

- Ex ia I Ma,
- Ex ia II C T ...Ga
- Ex ia IIIC T ...Da

EAC Ex Marking:

- PO Ex ia I Ma X
- 0Ex ia II C T...Ga X
- 0Ex ia IIIC T...Da X



Temperature range of the sensor depends on insulation of connection cable.

Connection cable	cross	diameter	code
up to +105°C. PVC / PVC	2 x 0.22 mm ²	Ø4.0 Ø5.0 Ø5.0 Ø6.0	JJ-2x0.22mm ² JJ-2x0.44mm ² JJ-4x0.50mm ² JJ-2x0.75mm ²
up to +180°C. silicone / silicone	2 x 0.22 mm ²	Ø3.4 Ø4.5	TSL-2x0.22mm ² TSL-2x0.75mm ²
up to +400°C. fiberglass / fiberglass / steel braid	2 x 0.22 mm ² 2 x 0.50 mm ² 2 x 0.50 mm ²	Ø3.6 3x4 4x5	GLGLP-2x0.22 mm ² GLGLP-2x0.50 mm ² GLGLP-2x0.75 mm ²

Connection cable	cross	diameter	code
up to +260°C. teflon® PFA / teflon® PFA	2 x 0.22 mm ² 2 x 0.50 mm ² 2 x 0.75 mm ²	1.9x2.3 1.7x3.0 2.4x4.2	TT-2x0.22mm ² TT-2x0.50mm ² TT-2x0.75mm ²
up to +205°C. teflon® FEP/Cu braid / teflon® FEP	2 x 0.22 mm ² 4 x 0.22 mm ² 2 x 0.50 mm ² 4 x 0.50 mm ² 6 x 0.50 mm ² 4 x 0.75 mm ² 6 x 0.75 mm ²	Ø2.9 Ø3.6 Ø3.8 Ø4.6 Ø5.1 Ø5.1 Ø6.3	TCuT-2x0.22 mm ² TCuT-4x0.22 mm ² TCuT-2x0.50 mm ² TCuT-4x0.50 mm ² TCuT-6x0.50 mm ² TCuT-4x0.75 mm ² TCuT-6x0.75 mm ²

ORDERING CODE

Temperature sensor		XI - TTE50244 - [] - [] - [] - []				
sensing element:	Type K <input type="checkbox"/> K Type J <input type="checkbox"/> J Type N <input type="checkbox"/> N Type E <input type="checkbox"/> E Type T <input type="checkbox"/> T		1	2	3	4
cable length Lp [mm]:	custom <input type="checkbox"/>					
TC class:	1, 2 <input type="checkbox"/>					
cable insulation	(see specification) <input type="checkbox"/>					

EXAMPLE: Temperature sensor XI-TTE50244 -K- 2500 -1 -GLGLP

1 2 3 4

Temperature sensor XI-TTE50244-J-1000-1-TT

1 2 3 4