

### RESISTANCE THERMOMETER

#### Type XI-TOPZ, XI-APT0PZ

The sensor consists of a metal protection tube with resistance element inside and an aesthetic aluminum enclosure, in which it is possible to mount a programmable temperature transmitter with an output signal of 4..20 mA (optional HART® protocol).

The housing has a cover fastened to the body with screws. Inside the housing there are: terminal blocks on a DIN rail or a temperature transmitter. The enclosure is equipped with a cable gland for leading power and signal cables.

### TECHNICAL DATA

#### Description

- intrinsically safe for mines MI, gas G and dust D atmospheres
- single RTD
- enclosure ATEX II GD IP65, aluminum
- cable gland ATEX I MI, II GD, IP65; (cable dia. 5..10mm)\*
- output signal: RTD or 4-20mA (option)

#### Design temperature range

-60 .. +130°C	XI-TOPZ (without transmitter)
-40 .. +85°C	XI-APT0PZ (with transmitter)

#### Sensing element

1xPt100, 1xPt500, 1xPt1000	acc. to EN 60751 class A, B
----------------------------	-----------------------------

#### Protection tube

Material	stainless steel 1.4541*
Diameter D [mm]	Ø6 or other*
Length L [mm]	50, 100 or other*

#### Temperature transmitter (option)

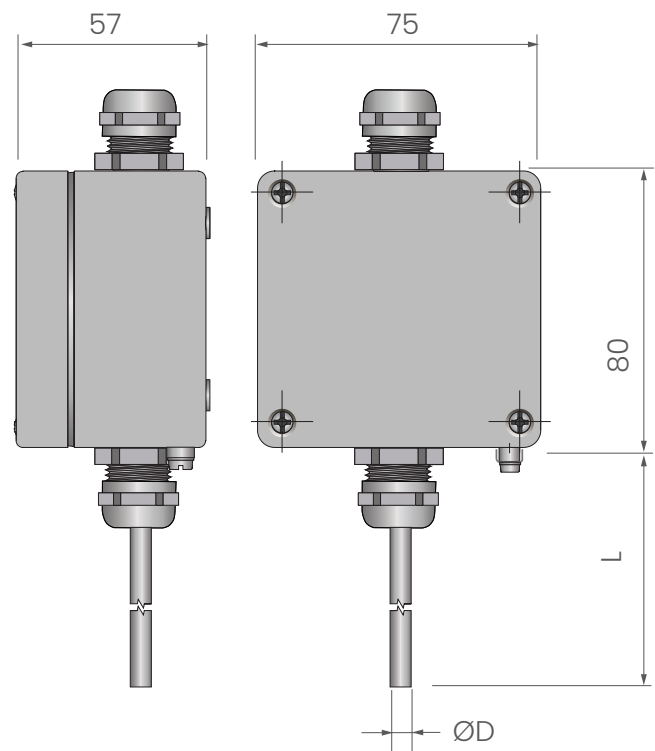
PR5333D, PR5335D (HART®)  
 FlexTop2202, FlexTop2212,  
 FlexTop2222 (HART®)

#### Remarks

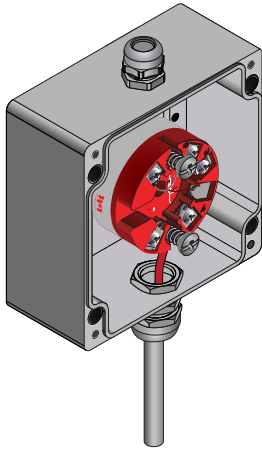
\* other parameters on request

#### ATEX Marking:

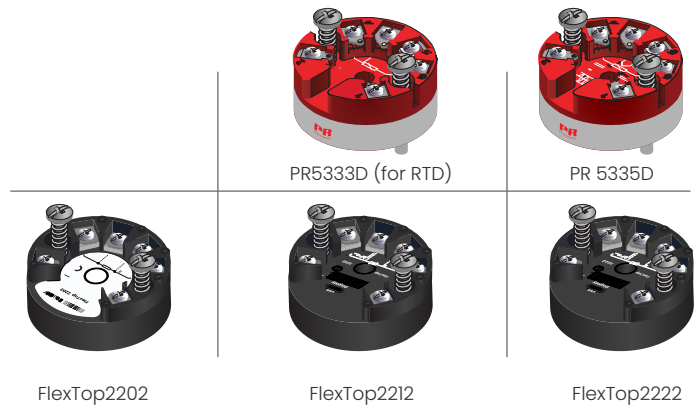
- CE I MI Ex ia I Ma
- CE II 1/2 G Ex ia II C T... Ga/Gb
- CE II 1/2 D Ex ia IIIC T... Da/Db



A transmitter can be built inside the enclosure. In this case, the transmitter replaces terminal blocks and is directly attached to the DIN rail. The temperature transmitter should be protected from temperatures over +85 °C.



Temperature transmitters



### ORDERING CODE

Temperature sensor		XI -	1	2	TOPZ -	3	4	5	6	7	8	9
without transmitter:	without mark											
with transmitter:	AP											
sensing element:	Pt100, Pt500, P t1000											
length L [mm]:	50, 100 or other*											
diameter D [mm]:	6 or other*											
RTD class:	A, B											
connection line	2, 3, 4 wire											
measuring range for transmitter output 4-20 mA	(...)°C											
transmitter type	see specification											
diameter of supply cable (for cable other than)	5.10mm (...)											

**EXAMPLE** Temperature sensor XI-TOPZ-Pt100-50-6-A-3  
2    3    4    5    6

Temperature sensor XI-APT0PZ-Pt100-50-6-A-3-(0-50)°C-PR5333D  
1    2    3    4    5    6    7    8