

RESISTANCE THERMOMETER

Type XI-TOPSW, XI-APTOP..SW

The sensor consists of an exchangeable measuring insert, drilled thermowell, neck and aluminum connection head where mounting a temperature transmitter with 4-20 mA/HART® output signal is possible.

The measuring insert represents the replaceable element of the complete sensor which reduces time and costs of maintenance of the measuring apparatus installed in the object. Spring fixation of the measuring insert provides perfect pressure to the bottom of the protecting tube, reduces time of reaction to changes of temperature and increases accuracy of measurement as well as reduces natural vibration thus mechanical and electrical defects can be avoided.

TECHNICAL DATA

Description

- intrinsically safe for mines MI, gas G and dust D atmospheres
- single and double RTD
- exchangeable mineral insulated measuring insert
- connection head types: XE-DANA (**G1**); XE-DANAW (**G2**); XE-DAND (**G5**); XE-DANDW (**G6**); XE-BE (**E1**); XE-BED (**E2**); IP65;
- ATEX II 2 GD (see technical information)
- thermowell for weld-in, for high pressures
- cable gland ATEX I MI, II GD, IP65; (cable dia. 5..10mm)*
- output signal: RTD or 4-20mA (option)

Design temperature range

-200 .. +550°C

Sensing element

1x or 2xPt100 acc. to EN 60751 class A, B

Thermowell – standard DIN43772 form 4

Material steel 15HM (1.7335) or other*

Diameter D [mm]	Length L [mm]
Ø18 mm – SW1 ;	100/35, 140/65, 200/65
Ø24 mm – SW2	140/65, 200/65, 260/125

Temperature transmitter (option)

PR5333D, PR5335D (HART®)
FlexTop2202, FlexTop2212,
FlexTop2222 (HART®)

Remarks

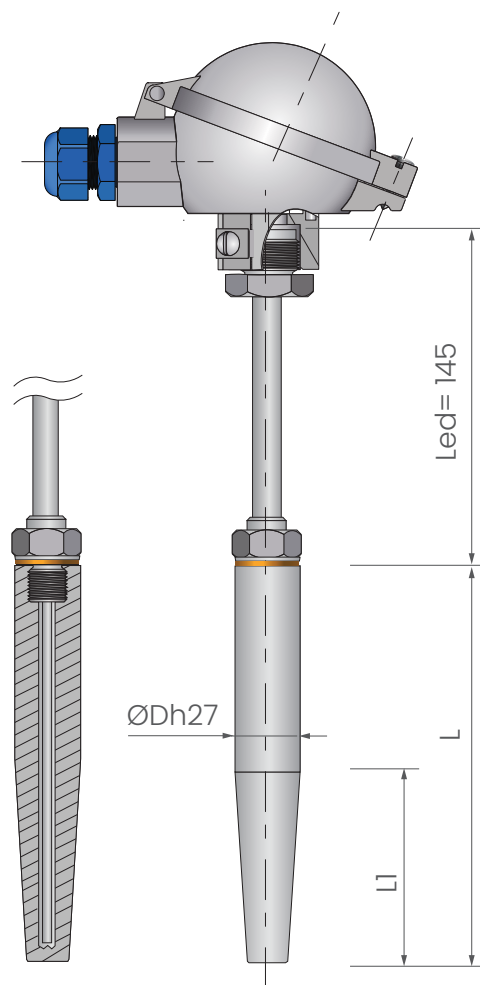
* other parameters on request

ATEX Marking:

CE Ⓜ I MI Ex ia I Ma
CE Ⓜ II 1/2 G Ex ia II C T... Ga/Gb
CE Ⓜ II 1/2 D Ex ia IIIC T... Da/Db

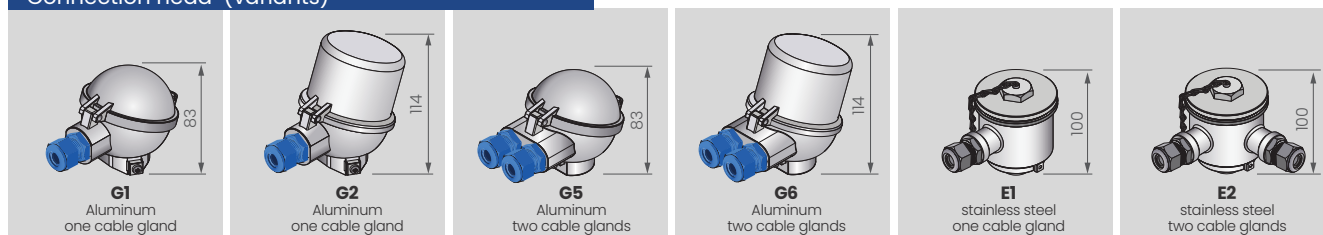
EAC Ex Marking:

PO Ex ia I Ma X
0Ex ia IIC T.Ga X
0Ex ia IIIC T.Da X



standard
DIN43772 form 4

Connection head (variants)



Temperature transmitter can be mounted inside a connection head of the sensor. There are two mounting options: directly on the measuring insert or in a high cap of the head. Advantage of the second solution is an easy replacement of the standard insert with a terminal block without need to dismantle the transmitter, which significantly reduces a time and cost of servicing the sensor and protects the connecting wires from damage. At the customer's request, it is possible to mount two transmitters. Temperature transmitter should be protected from temperatures over +85°C.



ORDERING CODE

Temperature sensor		XI -	1	2	TOP	3	4	5	6	7	8	9	10	11	12	13
without transmitter:	without mark															
with transmitter:	AP															
with two transmitters:	2AP															
single:	without mark															
double:	2															
diameter D [mm]:	18 (SW1), 24 (SW 2) or other*															
length L [mm]:	100/35, 140/65, 200/65, 260/65 or other*															
connection head type:	G1, G2, G 5, G6, E 1, E 2															
length L [mm]:	see specification															
length Led [mm]:	165 (without mark), 250, 80 or other*															
material:	1.7335 or other*															
RTD class:	A, B															
connection line	2, 3, 4 wire for 1xPt100; 2, 3 wire for 2xPt100															
measuring range for transmitter output 4-20 mA	(...) ^o C															
transmitter type	see specification															
diameter of supply cable (for cable other than)	5...10mm (...)															

EXAMPLE

Temperature sensor XI-2TOPSW2-G5-200-15HM-A-3

2 3 5 6 7 8 9

Temperature sensor XI-APTOSWI-G2-200/250-15HM-A-3-(0-400)^oC-PR5333D

1 3 5 6 7 8 9 10 11 12