

### RESISTANCE THERMOMETER

#### Type XI-TOPI, XI-APTOPI

The sensor consists of an exchangeable measuring insert and aluminum connection head where mounting a temperature transmitter with 4-20 mA/HART® output signal is possible.

#### TECHNICAL DATA

##### Description

- intrinsically safe for mines M1, gas G and dust D atmospheres
- single and double RTD
- measuring insert: mineral insulated
- without additional thermowell
- connection head types: XE-DANA (**G1**); XE-DANAW (**G2**); XE-DAND (**G5**); XE-DANDW (**G6**); XE-BE (**E1**); XE-BED (**E2**); IP65; ATEX II 2 GD (see technical information)
- process connection: M20x1.5 or G1/2" welded to thermowell\*
- cable gland ATEX I M1, II GD, IP65; (cable dia. 5..10mm)\*
- output signal: RTD or 4-20mA (option)

##### Design temperature range

-200 .. +600°C

##### Sensing element

Ix or 2xPt100 acc. to EN 60751 class A, B

##### Measuring insert, mineral insulated

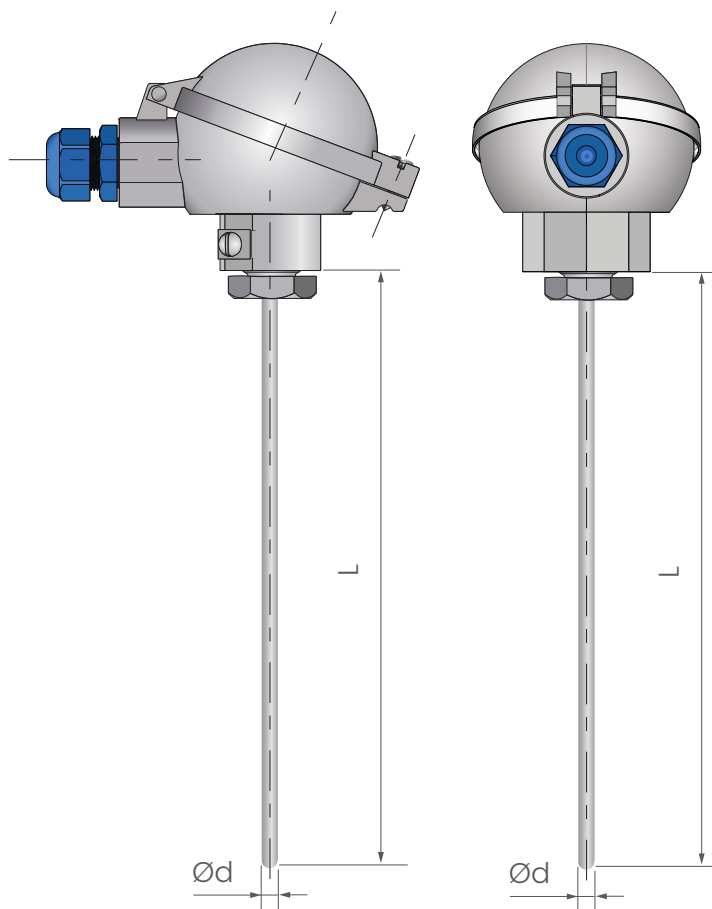
Sheath material stainless steel 1.4401 (316)\*  
 Diameter d [mm] Ø3, Ø4.5, Ø6, Ø8  
 Length L [mm] custom

##### Temperature transmitter (option)

PR5333D, PR5335D (HART®)  
 FlexTop2202, FlexTop2212,  
 FlexTop2222 (HART®)

##### Remarks

\* other parameters on request



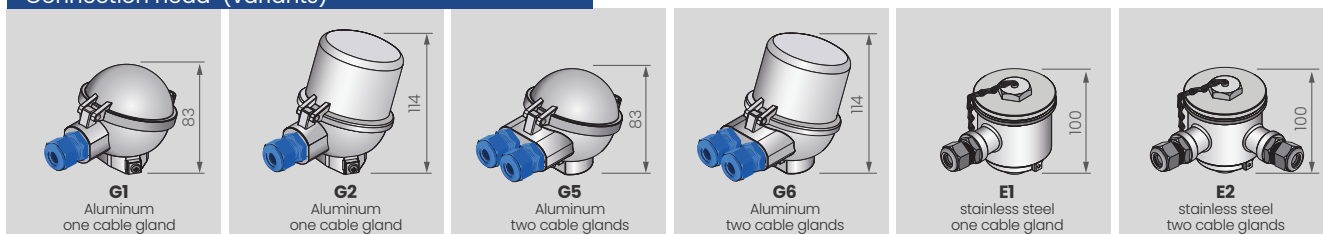
##### ATEX Marking:

CE I M1 Ex ia I Ma  
 CE II 1/2 G Ex ia II C T... Ga/Gb  
 CE II 1/2 D Ex ia IIIC T... Da/Db

##### EAC Ex Marking:

PO Ex ia I Ma X  
 0Ex ia II C T...Ga X  
 0Ex ia IIIC T...Da X

##### Connection head (variants)



Temperature transmitter can be mounted inside a connection head of the sensor. There are two mounting options: directly on the measuring insert or in a high cap of the head. Advantage of the second solution is an easy replacement of the standard insert with a terminal block without need to dismantle the transmitter, which significantly reduces a time and cost of servicing the sensor and protects the connecting wires from damage. At the customer's request, it is possible to mount two transmitters. Temperature transmitter should be protected from temperatures over +85°C.



## ORDERING CODE

Temperature sensor		XI -	1	2	3	TOPI -	4	5	6	7	8	9	10	11
with mineral insulated insert:	without mark													
without transmitter:	without mark													
with transmitter:	AP													
with two transmitters:	2AP													
single:	without mark													
double:	2													
connection head type:	G1, G2, G 5, G6, E1, E2													
length L [mm]:	see specification													
diameter d [mm]:	3, 4.5, 6, 8 or other*													
RTD class:	A, B													
connection line	2, 3, 4 wire for 1xPt100; 2, 3wire for 2xPt100													
measuring range for transmitter output 4-20 mA	(...)°C													
transmitter type	see specification													
diameter of supply cable (for cable other than)	5.10mm (...)													

## EXAMPLE

Temperature sensor XI-TOPI-G1-525-6-A-3

4 5 6 7 8

Temperature sensor XI-TOPI-G1-500-4.5-A-4

4 5 6 7 8