

### TEMPERATURE SENSOR

#### Type XDI-T..WS

Sensor consists of an exchangeable measuring insert, welded thermowell with flanged process connection and field mounted temperature transmitter PR7501.

Measuring insert represents the replaceable element of the complete sensor which reduces time and costs of maintenance of the measuring apparatus installed in the object. Spring fixation of the measuring insert provides perfect pressure to the bottom of the protecting tube, reduces time of reaction to changes of temperature and increases accuracy of measurement as well as reduces natural vibration thus mechanical and electrical defects can be avoided.

### TECHNICAL DATA

#### Description

- flameproof and intrinsically safe for gas G and dust D atmospheres
- single and double RTD and TC
- exchangeable mineral insulated measuring insert
- connection head: aluminium, IP68, ATEX II 2 GD (see technical information)
- process connection: G1/2", M14x1.5 or M18x1.5
- cable gland M20x1.5, II 2G Ex db IIC Gb, II 2D Ex tb IIIC Db; IP68 (cable dia. Ø3-Ø8mm)\*
- output signal: 4..20mA with HART® ver. 5 and 7 protocol
- local display, OPTO keypad (option)

#### Design temperature range

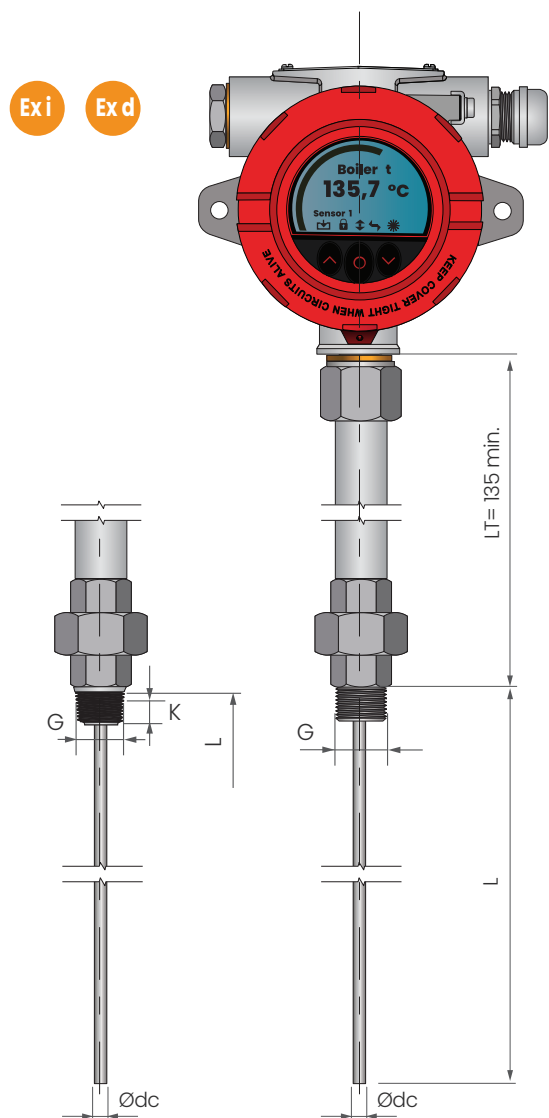
-200 .. +600°C	for Pt100	
-40 .. +800°C	for NiCr-NiAl (K)	<b>K</b>
-40 .. +700°C	for Fe-CuNi (J)	<b>J</b>

#### Sensing element

1x or 2xPt100	acc. to EN 60751 class A, B
1x or 2xTC (J, K, N, E, T)	acc. to EN 60584-2 class 1, 2

#### Remarks

\* other parameters on request



#### ATEX Marking:

- CE II 1/2G Ex ia IIC T... Ga/Gb or
- CE II 1/2G Ex db IIC T... Ga/Gb or
- CE II 1/2D Ex ia IIIC T... Da/Db or
- CE II 1/2D Ex ta/tb IIIC T... Da/Db

# Temperature sensors for Hazardous Areas

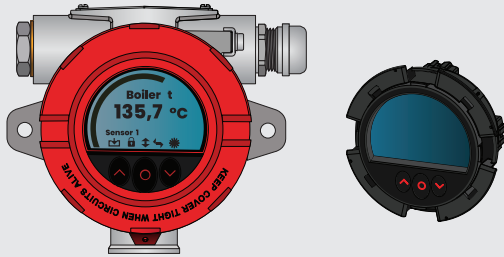
FLAMEPROOF AND INTRINSICALLY SAFE TEMPERATURE SENSORS



Catalogue | Edition 2023

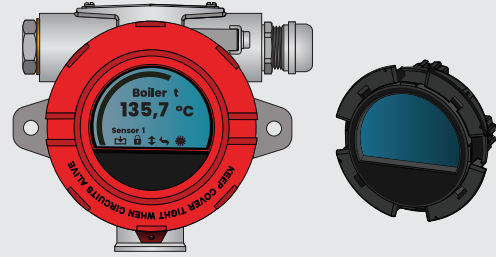
## Local operator interface (LOI)

- 3 optical buttons; up, down and enter.
- Dynamically adaptive to wear or accumulation of dirt.
- Immune to interference from ambient light sources.
- Useable with or without gloves.



## High definition display

- 0, 90, 180, & 270 degree position adjustments.
- Monitoring, programming and diagnostics view.
- Extensive diagnostics with flashing red or white backlight
- Supports 7 languages.



## ORDERING CODE

Temperature sensor		XDI - <span style="border: 1px solid black; padding: 0 2px;"> </span> T <span style="border: 1px solid black; padding: 0 2px;"> </span> WS - <span style="border: 1px solid black; padding: 0 2px;"> </span> - <span style="border: 1px solid black; padding: 0 2px;"> </span> - <span style="border: 1px solid black; padding: 0 2px;"> </span> - <span style="border: 1px solid black; padding: 0 2px;"> </span> - <span style="border: 1px solid black; padding: 0 2px;"> </span> - <span style="border: 1px solid black; padding: 0 2px;"> </span> - <span style="border: 1px solid black; padding: 0 2px;"> </span> - <span style="border: 1px solid black; padding: 0 2px;"> </span> - <span style="border: 1px solid black; padding: 0 2px;"> </span> - <span style="border: 1px solid black; padding: 0 2px;"> </span> - <span style="border: 1px solid black; padding: 0 2px;"> </span>											
single:	without mark	<input type="checkbox"/>											
double:	2	<input type="checkbox"/>											
RTD Pt:	OP	<input type="checkbox"/>											
Thermocouple NiCr-NiAl:	TK	<input type="checkbox"/>											
Thermocouple Fe-CuNi:	TJ	<input type="checkbox"/>											
length L [mm]:	100	<input type="checkbox"/>	3	400	<input type="checkbox"/>	4	5	6	7	8	9	10	11
	160	<input type="checkbox"/>		500	<input type="checkbox"/>								
	250	<input type="checkbox"/>		or other*	<input type="checkbox"/>								
neck length LT [mm]:	150	<input type="checkbox"/>											
	200	<input type="checkbox"/>											
	or other*	<input type="checkbox"/>											
diameter Ødc [mm]:	3	<input type="checkbox"/>											
	4,5	<input type="checkbox"/>											
	6	<input type="checkbox"/>											
thread:	G½"	<input type="checkbox"/>											
	M18x1.5	<input type="checkbox"/>											
	M14 x1.5	<input type="checkbox"/>											
RTD class:	A, B	<input type="checkbox"/>											
TC class:	1,2	<input type="checkbox"/>											
connection line (only for RTD):	2, 3, 4 wire for 1xPt100;	1x <input type="checkbox"/>											
	2, 3wire for 2xPt100	2x <input type="checkbox"/>											
measuring range for transmitter output 4-20 mA	(...) <sup>o</sup> C	<input type="checkbox"/>											
connection head type:	PR7501	<input type="checkbox"/>											
without OPTO keypad:	without mark	<input type="checkbox"/>											
with OPTO keypad:	OPTO	<input type="checkbox"/>											

## EXAMPLE

Temperature sensor XDI-TOPWS-500-150-3-M18x1.5-A-3-(0..+200)<sup>o</sup>C-PR7501

2
3
4
5
6
7
8
9
10

Temperature sensor XDI-TOPWS-350-150-6-G1/2"-A-3-(0..+200)<sup>o</sup>C-PR7501-OPTO

2
3
4
5
6
7
8
9
10
11