

THERMOCOUPLE

Type XD-TT..I, XD-APTT..I

The sensor consists of an exchangeable measuring insert and aluminum connection head where mounting a temperature transmitter with 4-20 mA/HART® output signal is possible.

TECHNICAL DATA

Description

- flameproof for mines M2, gas G and dust D atmospheres
- single and double TC
- exchangeable mineral insulated measuring insert
- connection head types: XD-AD (**GW1, GW2**); XD-ADwin (**GW3, GW4**); XD-SD (**S1, S2**); IP65, ATEX II 2 GD (see technical information)
- cable gland ATEX I M2, II GD, IP65; (cable dia. 3...8mm)*
- output signal: TC or 4-20mA (option)
- local display LPI-02 (option)

Design temperature range

-40 .. +1200°C (K)	for NiCr-NiAl (K)	K
-40 .. +700°C (J)	for Fe-CuNi (J)	J

Sensing element

1x or 2xNiCr-NiAl (K)	acc. to EN 60584-2 class 1, 2
1x or 2xFe-CuNi (J)	acc. to EN 60584-2 class 1, 2

Measuring insert

Material	stainless steel 1.4541*
Diameter dc [mm]	Ø3, Ø4.5, Ø6, Ø8
Length L [mm]	custom

Temperature transmitter (option)

PR5334A3B, PR5335A (HART®),
FlexTop2202, FlexTop2212, FlexTop2222 (HART®)

Remarks

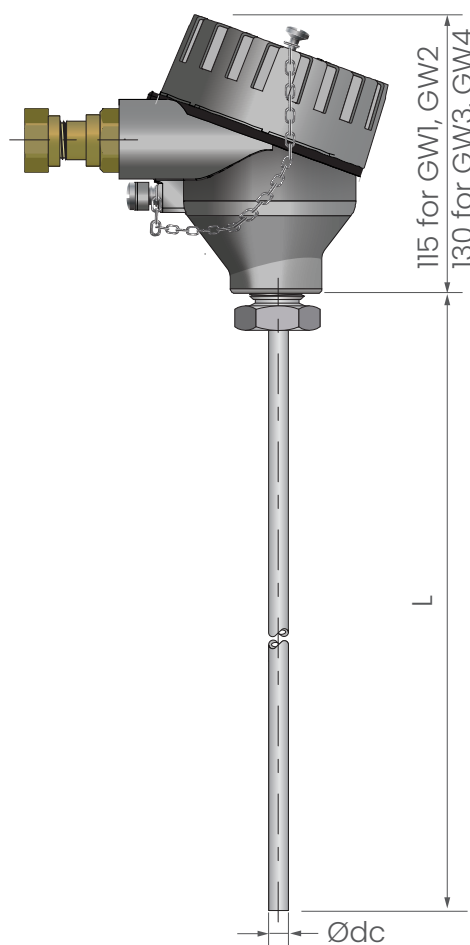
- * other parameters on request
- * local display LPI-02 (see technical information)

ATEX Marking:

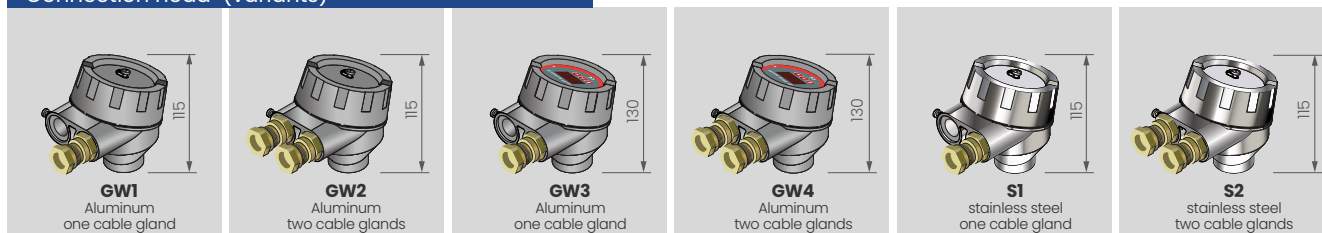
- CE I M2 Ex db I Mb
- CE II 1/2 G Ex db II C T... Ga/Gb
- CE II 1/2 D Ex ta/tb IIIC T... Da/Db

EAC Ex Marking:

- PB Ex d I Mb X
- Ga/Gb Ex d IIC T..X
- Ex ta/tb IIIC T..Da/Db X



Connection head (variants)



A transmitter can be built upon the measuring insert. In this case, the transmitter replaces the terminal block and is directly attached to the terminal plate of the measuring insert. The temperature transmitter should be protected from temperatures over +85 °C.



ORDERING CODE

Temperature sensor	XD -	1	2	3	TT	I	4	5	6	7	8	9	10
without transmitter: with transmitter: with two transmitters:													
without mark AP 2AP													
single: double:													
without mark 2													
thermocouple Fe-CuNi thermocouple NiCr-NiAl													
J K													
connection head type:													
GW1, GW 2, GW 3, GW4, S1, S2													
length L [mm]:													
160, 250, 400, 500 or other*													
diameter dc [mm]:													
3, 4.5, 6, 8 or other*													
TC Class													
class 1 class 2													
measuring range for transmitter output 4-20 mA													
(...) ^o C													
transmitter type													
see specification													
diameter of supply cable (for cable other than)													
3...8mm (...)													

EXAMPLE

Temperature sensor XD-2TTKI-GW1-500-6-1

2 3 4 5 6 7

Temperature sensor XD-APTTJI-GW2-400-3-2-(0-100)^oC-PR5334A3B

1 3 4 5 6 7 8 9