

RESISTANCE THERMOMETER

Type XD-TOPI, XD-APTOPI

The sensor consists of an exchangeable measuring insert and aluminum connection head where mounting a temperature transmitter with 4-20 mA/HART® output signal is possible.

TECHNICAL DATA

Description

- flameproof for mines M2, gas G and dust D atmospheres
- single and double RTD
- exchangeable mineral insulated measuring insert
- without extra thermowell
- connection head types: XD-AD (**GW1, GW2**); XD-ADwin (**GW3, GW4**); XD-SD (**S1, S2**); IP65, ATEX II 2 GD (see technical information)
- cable gland ATEX I M2, II GD, IP65; (cable dia. 3..8mm)*
- output signal: RTD or 4-20mA (option)
- local display LPI-02 (option)

Design temperature range

-200 .. +600°C

Sensing element

1x or 2xPt100 acc. to EN 60751 class A, B

Measuring insert

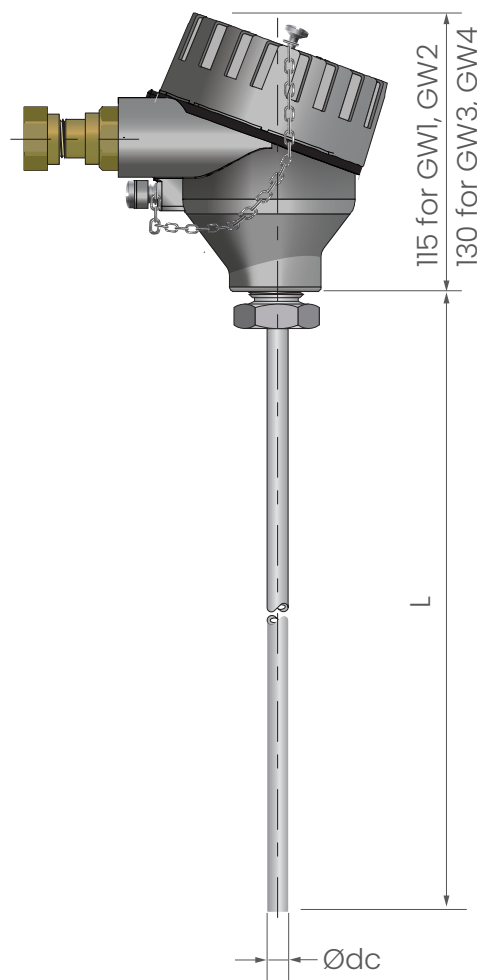
Material	stainless steel 1.4541*
Diameter dc [mm]	Ø3, Ø4.5, Ø6, Ø8
Length L [mm]	custom

Temperature transmitter (option)

PR5333A, PR5335A (HART®),
FlexTop2202, FlexTop2212, FlexTop2222 (HART®)

Remarks

- * other parameters on request
- * local display LPI-02 (see technical information)



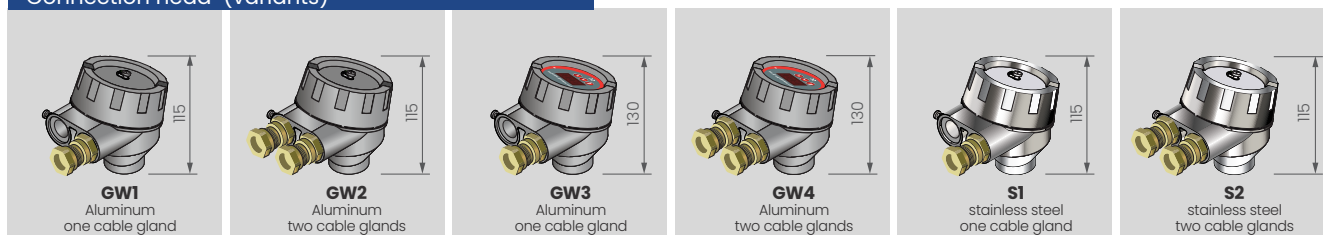
ATEX Marking:

- CE II M2 Ex db I Mb
- CE II 1/2 G Ex db II C T... Ga/Gb
- CE II 1/2 D Ex ta/tb IIIC T... Da/Db

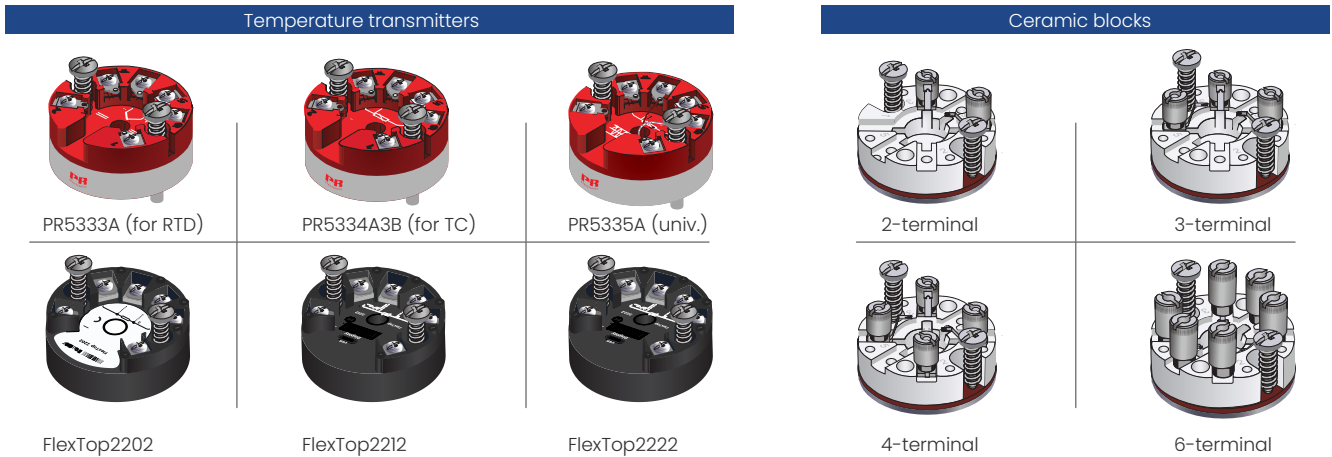
EAC Ex Marking:

- PB Ex d I Mb X
- Ga/Gb Ex d IIC T..X
- Ex ta/tb IIIC T..Da/Db X

Connection head (variants)



A transmitter can be built upon the measuring insert. In this case, the transmitter replaces the terminal block and is directly attached to the terminal plate of the measuring insert. The temperature transmitter should be protected from temperatures over +85 °C.



ORDERING CODE

Temperature sensor		XD -	1	2	TOPI -	3	4	5	6	7	8	9	10
without transmitter:	without mark												
with transmitter:	AP												
with two transmitters:	2AP												
single:	without mark												
double:	2												
connection head type:	GW1, GW 2, GW 3, GW4, S1, S2												
length L [mm]:	160, 200, 250, 400, 500 or other*												
diameter dc [mm]:	3, 4.5, 6, 8 or other*												
RTD class:	A, B												
connection line	2, 3, 4 wire for 1xPt100; 2, 3wire for 2xPt100												
measuring range for transmitter output 4-20 mA	(...)°C												
transmitter type	see specification												
diameter of supply cable (for cable other than)	3...8mm (...)												

EXAMPLE Temperature sensor XD-TOPI-GW1-500-6-A-4

3 4 5 6 7

Temperature sensor XD-APTOPI-GW1-300-4.5-A-3-(0-400)°C-PR5333A

1 3 4 5 6 7 8 9