

Application

- Easy installation of temperature sensors in measuring point

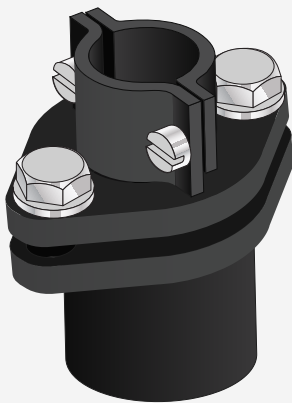
Features

- High quality
- Material: steel 1.0401, painted
- Execution acc. to DIN EN 50 446

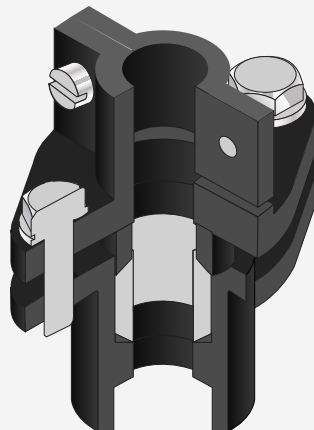
TERMOAPARATURA WROCLAW supplies high quality mounting brackets suitable for installation of temperature sensors in measuring point.

Mounting brackets UZ11, UZ21 consist of three parts: body, sealing part and compression flange. Body and flange are made of steel.

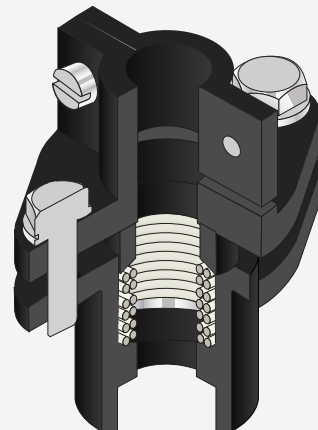
For applications above +200°C mineral-fiber rope as sealing part is recommended.



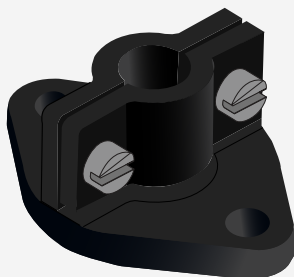
**Mounting bracket
UZ11**



*teflon sealing
(up to +200°C)*

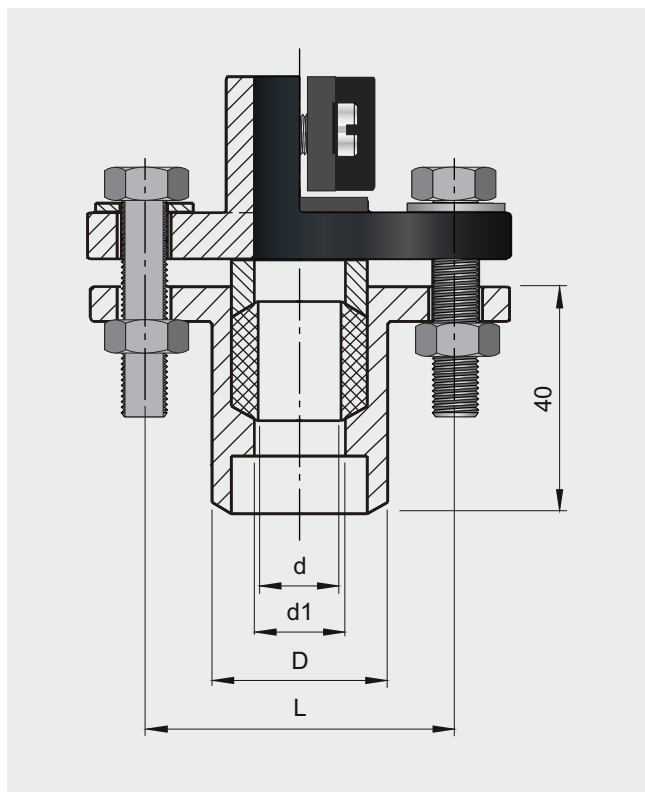


*mineral-fiber
sealing
(up to +650°C)*

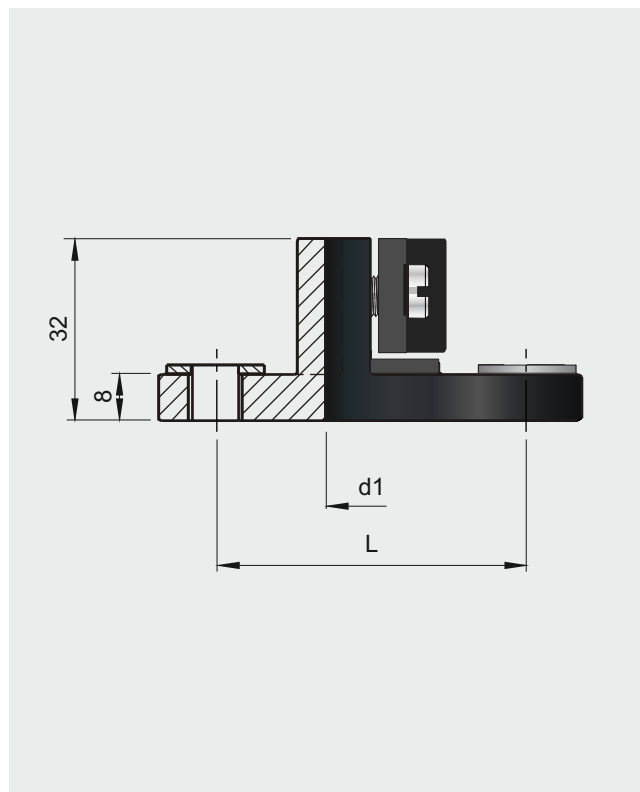


**Mounting bracket
UZ21**

Mounting bracket UZ11



Mounting bracket UZ21



Dimensions

Bracket type	d [mm]	d1 [mm]	D [mm]	L [mm]
UZ11 - 15	Ø 15	16	35	55
UZ11 - 22	Ø 22	23	40	70
UZ11 - 32	Ø 32	33	50	70

Bracket type	d1 [mm]	L [mm]
UZ21 - 15	16	55
UZ21 - 22	23	70
UZ21 - 32	33	70

Ordering code

UZ - -

Type							
1	<table border="1"> <tr> <td>11</td> <td>mounting bracket with body</td> </tr> <tr> <td>21</td> <td>mounting bracket (only flange)</td> </tr> </table>	11	mounting bracket with body	21	mounting bracket (only flange)		
11	mounting bracket with body						
21	mounting bracket (only flange)						
Diameter of sensor tube							
2	<table border="1"> <tr> <td>15</td> <td>Ø15 mm</td> </tr> <tr> <td>22</td> <td>Ø22 mm</td> </tr> <tr> <td>32</td> <td>Ø32 mm</td> </tr> </table>	15	Ø15 mm	22	Ø22 mm	32	Ø32 mm
15	Ø15 mm						
22	Ø22 mm						
32	Ø32 mm						
Sealing material							
3	<table border="1"> <tr> <td>T</td> <td>teflon®</td> </tr> <tr> <td>C</td> <td>mineral-fiber</td> </tr> </table>	T	teflon®	C	mineral-fiber		
T	teflon®						
C	mineral-fiber						