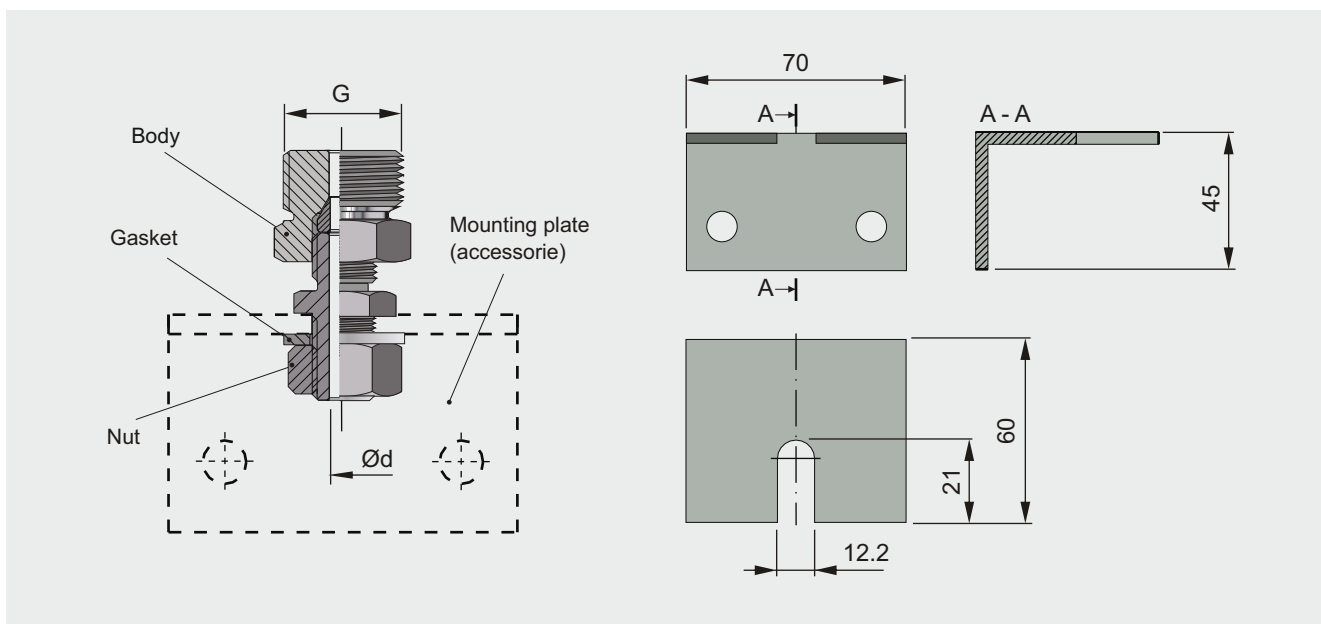
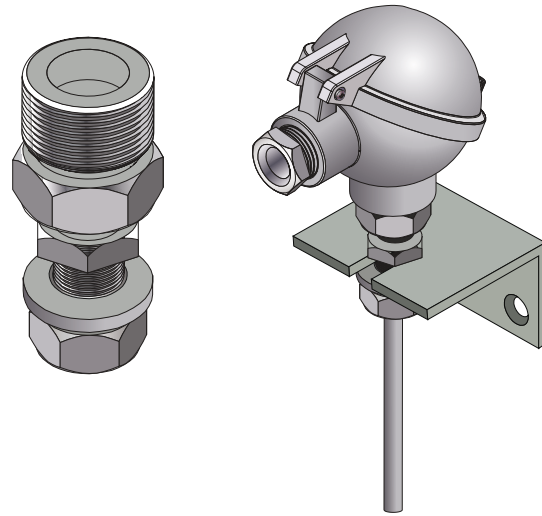


Application

Used as a mounting bracket for connection head to wall or frame.

Material

Stainless steel 1.4301 (AISI304)



Ordering code

UMG - - -

	1	2	3
1	<input type="text"/>	Sensor diameter	
		3	Ø 3.0 mm
		4.5	Ø 4.5 mm
		6.0	Ø 6.0 mm
2	<input type="text"/>	Thread G	
		M24x1.5	M24x1.5
		xxx	other, please specify
3	<input type="text"/>	Accessorie	
			without mounting plate
		B	with mounting plate