

## Application

- Easy installation of temperature sensors in measuring point

## Features

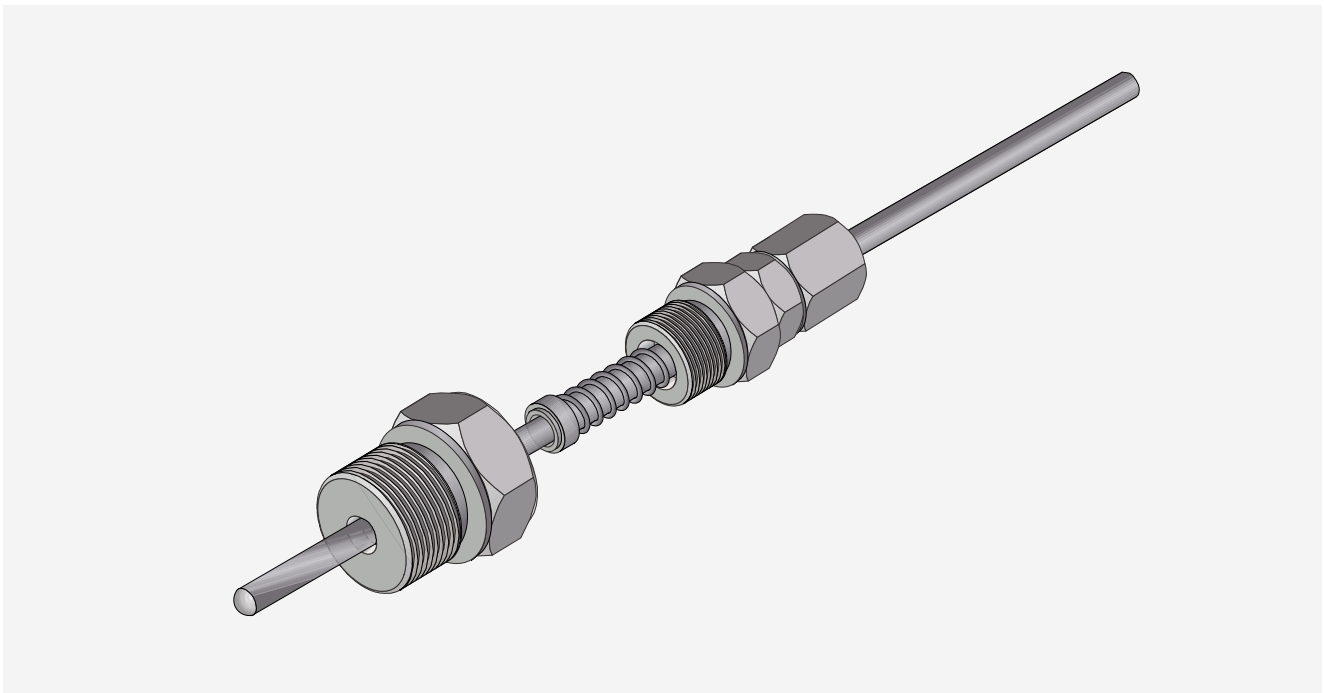
- High quality
- Metric, cylinder and NPT threads
- Tightness level IP40
- O-ring sealing available (IP68)

TERMOAPARATURA WROCLAW supplies high quality compression fittings suitable for installation of temperature sensors in measuring point.

Compression fittings UG1 consist of four parts: body with process thread (metric or NPT), olive, spring and compression screw. Body and compression screw are made of stainless steel.

The internal spring presses the sensor to the end of hole in socket where temperature need to be measured, resulting in good heat transfer.

Standard versions of UGS ensure IP40 tightness, optionally we can deliver a version with o-ring sealing (IP68), which means that, among others, the bearing oil will not get beyond the area of the measuring socket.



## Material

- 1.4301 ( AISI304 )

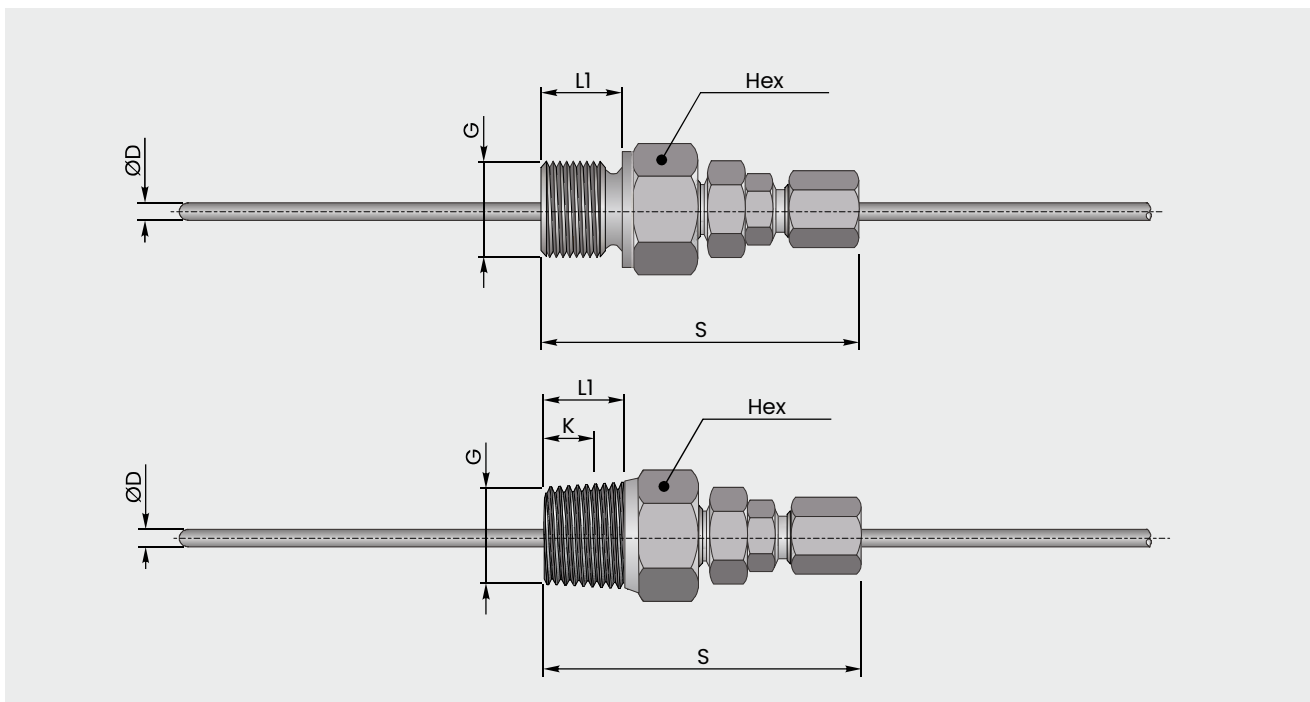
Compression fitting allows simple adaptation to the required insertion length at the installation point.

Material: stainless steel

Sealing ring material: stainless steel

Stainless steel olives can be adjusted once, after unscrewing, sliding along the sheath is no longer possible. Max. temperature at process connection +300 °C

Construction



Standard dimensions

Thread G	Hex	Length L1 [mm]	Length S [mm]
M16x1.5	SW24	15	~70
M16x2	SW24	15	~70
M18x1.5	SW24	15	~70
M20x1.5	SW27	15	~70
M22x1.5	SW30	15	~70
M24x1.5	SW30	15	~70

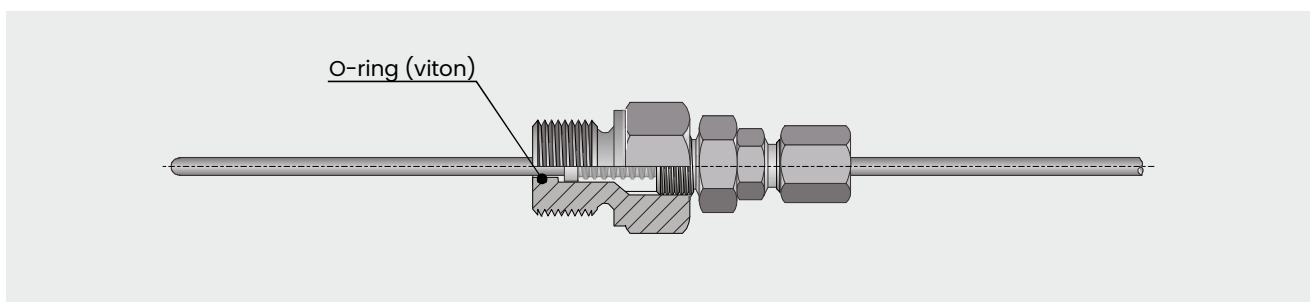
Thread G	Hex	Length L1 [mm]	Length S [mm]
3/8"NPT	SW24	15	~70
1/2"NPT	SW24	18	~75
3/4"NPT	SW30	20	~75

Thread G	Hex	Length L1 [mm]	Length S [mm]
G3/8"	SW24	15	~70
G1/2"	SW27	15	~70
G3/4"	SW36	18	~75

- ⓘ Handtight engagement (K)
- thread 3/8"NPT about 7,3 mm
  - thread 1/2"NPT about 8,1 mm
  - thread 3/4"NPT about 8,6 mm

Other versions

On the customer's request, it is possible to produce a compression fitting with o-ring (Viton). Operating temperature range is limited to -20°C .. +200°C then.



**Ordering code**

UGS - <sup>1</sup> - <sup>2</sup> - <sup>3</sup>

		Diameter of sensor D	
1	<input type="text"/>	3.0	Ø3.0 mm
		3.2	Ø3.2 mm
		4.5	Ø4.5 mm
		4.8	Ø4.8 mm
		6.0	Ø6.0 mm
		6.4	Ø6.4 mm
		xxx	other, please specify
		Thread G	
2	<input type="text"/>	xxx	please specify
		Options	
3	<input type="text"/>	IP68	optional version with o-ring seal, protection degree IP68
		xxx	other, please specify

**Examples**

Compression fitting UGS-3-G1/2"  
(compression fitting for sensor Ø3.0 mm, thread G1/2")

Compression fitting UGS-4.5-1/2"NPT  
(compression fitting for sensor Ø4.5 mm, thread 1/2"NPT)

Compression fitting UGS-4.5-1/2"NPT-IP68  
(compression fitting for sensor Ø4.5 mm, thread 1/2"NPT, optional version with o-ring seal, protection degree IP68)