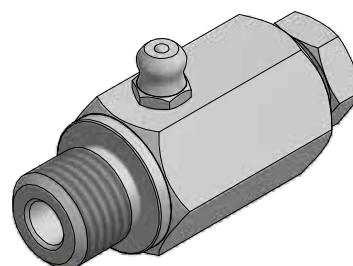


## Application

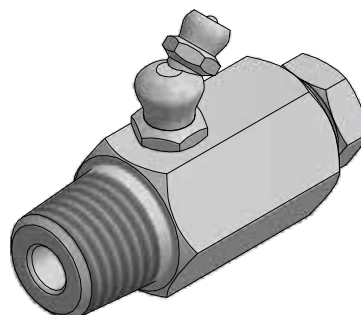
- General mechanical engineering
- Temperature measurement of bearings
- General industrial services



Compression fitting UGB  
Metric / cylinder thread  
Grease nipple straight version

## Technical properties

- High quality
- Metric, cylinder and NPT threads
- Compression fitting material 1.4301 ( AISI304 )
- Grease nipple allows to feed lubricants
- Grease nipple according to DIN71412:  
straight, angled 45°, angled 90°



Compression fitting UGB  
Grease nipple angled version

## Technical properties

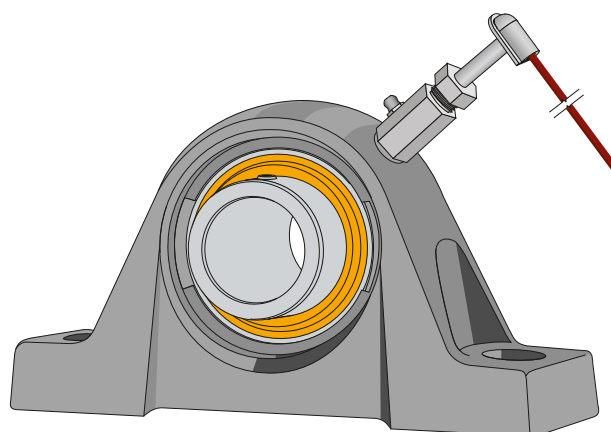
- Other materials
- Production acc. to customer requirements possible

## Description

Compression fittings allows easy installation of temperature sensors in measuring point of bearing.

Grease nipple allows feed lubricants at sensor measuring point to ensure optimal working conditions of bearing.

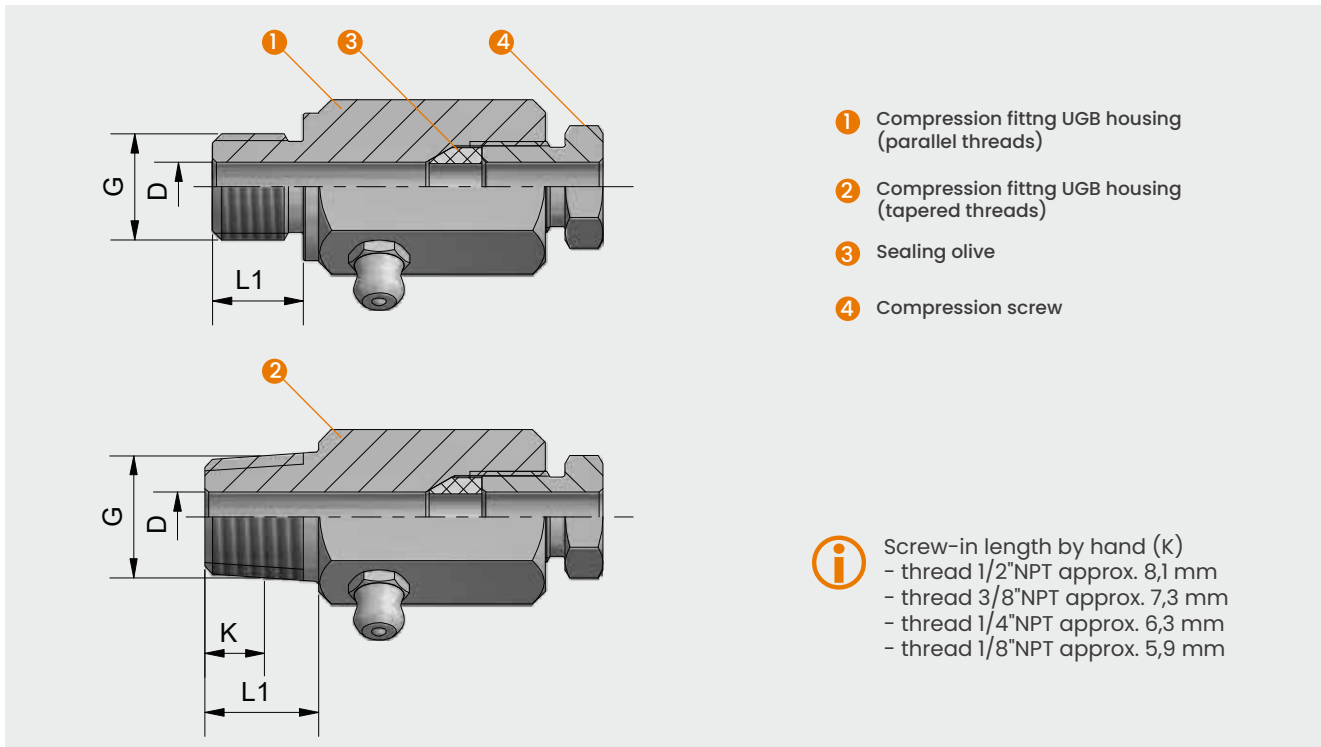
Compression fitting allows simple adaptaion of temperature sensor to the required insertion length at the installation point.



# COMPRESSION FITTINGS

for installation with temperature sensors, Type UGB

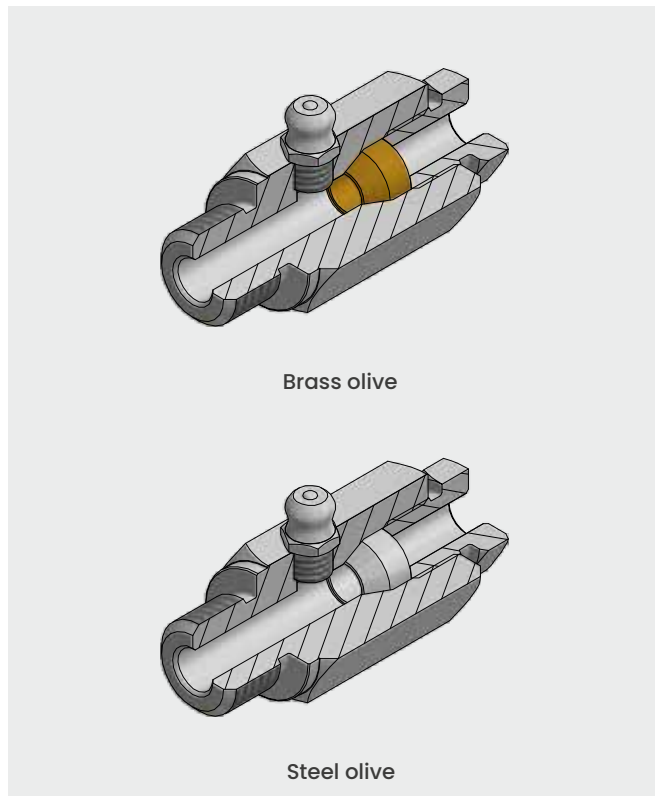
## Designs



Thread	Length L <sub>1</sub> [mm]
M6x1.0	10
M8x1.0	10
M10x1.0	10
M12x1.0	10
M16x1.5	15

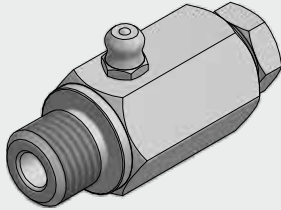
Thread	Length L <sub>1</sub> [mm]
G1/8"	10
G1/4"	12
1/8"NPT	11
1/4"NPT	14
R1/8"	10
R1/4"	14

## Sealing material

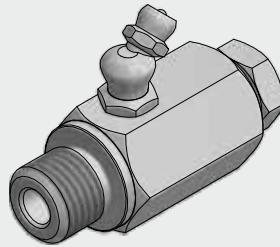


**i** Stainless steel and brass olives can be adjusted at once, after unscrewing, sliding along the sheath is no longer possible.

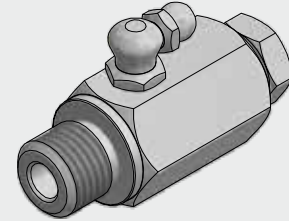
**Grease nipple**



Grease nipple DIN 71412  
Type A 180° threaded, straight version

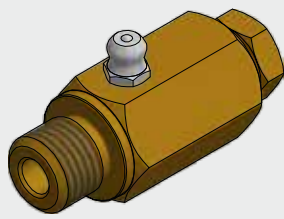


Grease nipple DIN 71412  
Type B 45° threaded, angled version



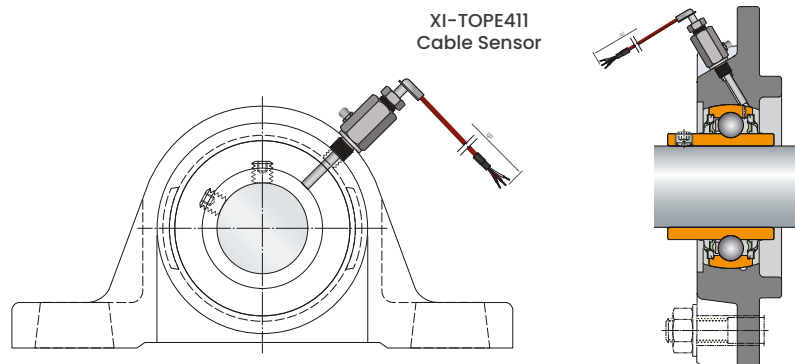
Grease nipple DIN 71412  
Type C 90° threaded, angled version

**Non-standard versions**



Compression fitting UGB  
Brass compression fitting housing  
and compression screw

**Mounting details**



**Order code**

UGB  1 -  2 -  3 -  4 -  5

Order	Parameter	Code	<input checked="" type="checkbox"/>	Description
1	Diameter of sensor tube	3	<input type="checkbox"/>	Ø 3 mm
		4.5	<input type="checkbox"/>	Ø 4,5 mm
		6	<input type="checkbox"/>	Ø 6 mm
		xxx	<input type="checkbox"/>	Other, please specify
2	Thread G	M8x1	<input type="checkbox"/>	M8x1
		M10x1	<input type="checkbox"/>	M10x1
		1/8"NPT	<input type="checkbox"/>	1/8"NPT
		xxx	<input type="checkbox"/>	Other, please specify
3	Material	1.4301	<input type="checkbox"/>	Stainless steel OH18N9 ( 1.4301, AISI304 )
		xxx	<input type="checkbox"/>	Other, please specify
4	Olive	M	<input type="checkbox"/>	Brass
		S	<input type="checkbox"/>	Steel
5	Grease nipple	A	<input type="checkbox"/>	Type A, 180° threaded, straight version acc. to DIN 71412
		B	<input type="checkbox"/>	Type B, 45° threaded, angled version acc. to DIN 71412
		C	<input type="checkbox"/>	Type C, 90° threaded, angled version acc. to DIN 71412