

# CONNECTORS

FOR THERMOCOUPLES AND RESISTANCE THERMOMETERS



Catalogue | Edition 2023

## STANDARD PLUGS AND SOCKETS RATED TO +220°C

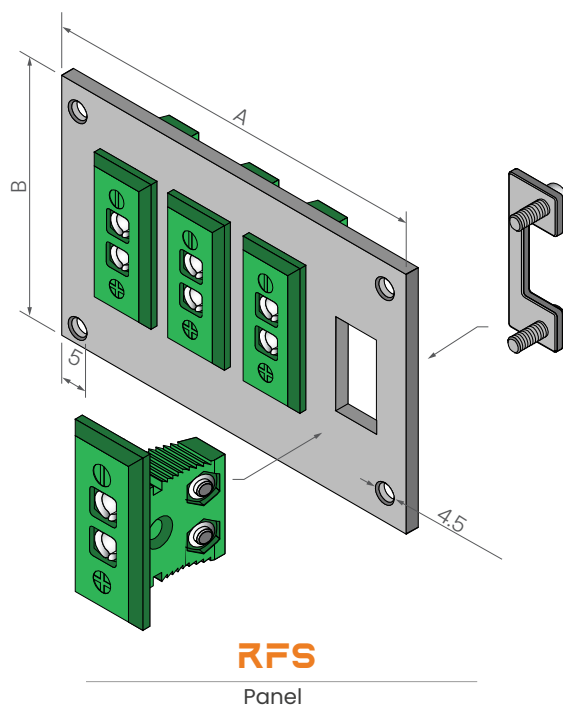
**RFS**, Standard socket panel RFS is designed for self assembly in special prepared holes. RFS panel is mainly used in laboratories, etc.

### Features

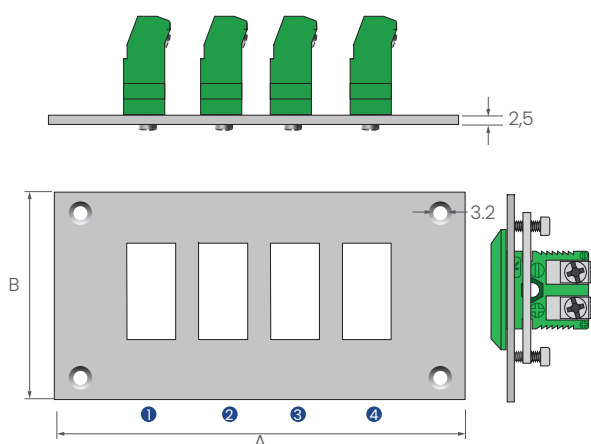
- High quality panel made out of anodised aluminum plate
- Designed for self assembly
- Solid construction
- Suitable for use with standard connectors R-29

### Accessories

- Standard connectors should be ordered separately
- For more details go to „standard connector R-29“



**RFS**  
Panel



### Order code

Panel RFS -  1

Code	Sockets amount (measuring circuits)	Rows amount	Dimensions A x B
01	1 circuits	1	37 x 67 mm
02	2 circuits	1	62 x 67 mm
04	4 circuits	1	112 x 67 mm
06	6 circuits	1	162 x 67 mm
08	8 circuits	1	212 x 67 mm
10	10 circuits	1	262 x 67 mm
12	12 circuits	1	312 x 67 mm
16	16 circuits	2	212 x 113.5 mm
20	20 circuits	2	262 x 113.5 mm
24	24 circuits	2	312 x 113.5 mm

