

CONNECTORS

FOR THERMOCOUPLES AND RESISTANCE THERMOMETERS

STANDARD PLUGS AND SOCKETS RATED TO +220°C

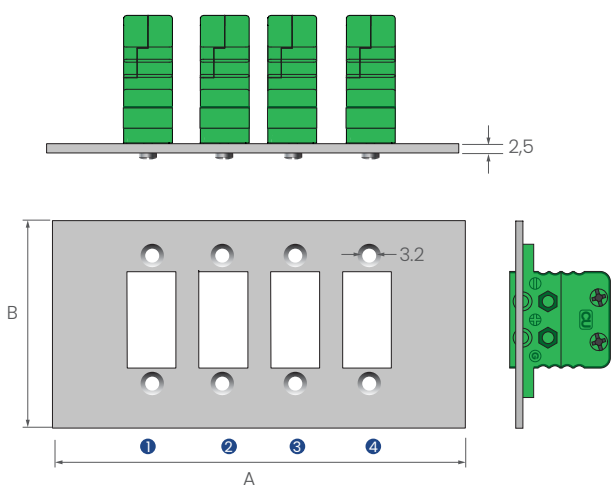
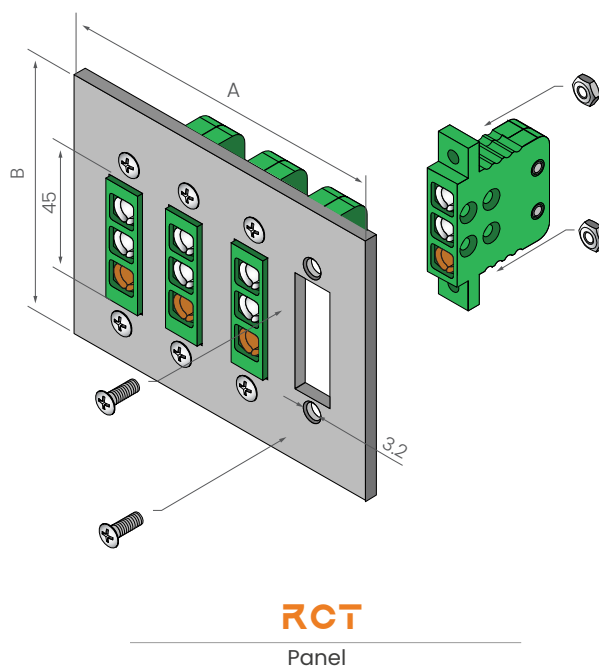
RCT, Standard socket panel RCT is designed for self assembly in special prepared holes. RCT panel is mainly used in laboratories, etc.

Features

- High quality panel made out of anodised aluminum plate
- Designed for self assembly
- Solid construction
- Suitable for use with standard connectors R-31

Accessories

- Standard connectors should be ordered separately
- For more details go to „Standard connector R-31”



Order code

Panel FCT - 1

Code	Sockets amount (measuring circuits)	Rows amount	Dimensions A x B
02	2 circuits	1	62 x 67 mm
04	4 circuits	1	112 x 67 mm
06	6 circuits	1	162 x 67 mm

