

CONNECTORS

FOR THERMOCOUPLES AND RESISTANCE THERMOMETERS



Catalogue | Edition 2023

ANODISED ALUMINIUM PANELS

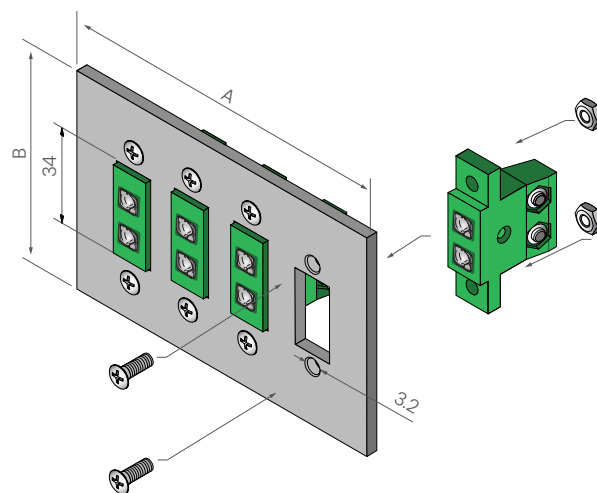
RCP, Standard socket panel RCP is designed for self assembly in special prepared holes. RCP panel is mainly used in laboratories, etc.

Features

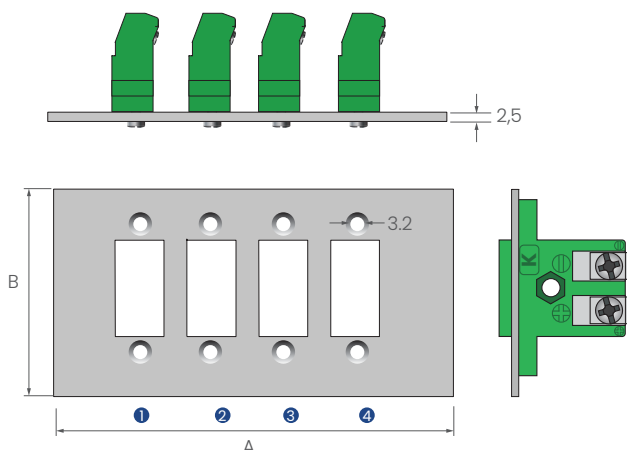
- High quality panel made out of anodised aluminum plate
- Designed for self assembly
- Solid construction
- Suitable for use with standard connectors R-27

Accessories

- Standard connectors should be ordered separately
- For more details go to „Standard connector R-27”



RCP
Panel



Order code

Panel RCP -

Code	Sockets amount (measuring circuits)	Rows amount	Dimensions A x B
01	1 circuits	1	37 x 67 mm
02	2 circuits	1	62 x 67 mm
04	4 circuits	1	112 x 67 mm
06	6 circuits	1	162 x 67 mm
08	8 circuits	1	212 x 67 mm
10	10 circuits	1	262 x 67 mm
12	12 circuits	1	312 x 67 mm

