

**STANDARD PLUGS AND SOCKETS RATED TO +220°C**

**R-32**, Standard connectors with round pins are designed for thermocouples and RTD sensors. Solid construction provides reliable connection even in demanding applications. Third Cu pin is used as grounding, extension of sensor shielding or connection of 3-wire Pt100 RTD sensor.

**Technical data**

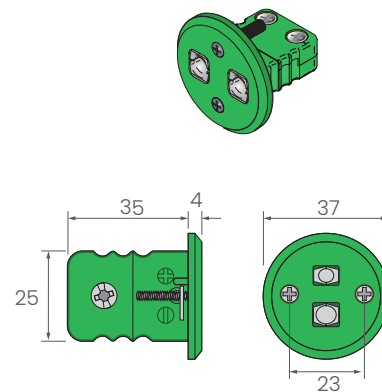
- High-quality housing resistant up to +220°C (R-32)
- Easy connection of wires
- Solid construction
- Wires diameter from Ø0.2 mm up to Ø2 mm
- Max cable diameter: Ø8 mm
- Thermocouple type designated on housing
- Recommended hole diameter for assembly: Ø28.5 mm

**Accessories**

- For more details go to „Standard connectors accessories“

**Conductors material**

TC type	Polarity +	Polarity -	Norm
Type K	NiCr	NiAl	IEC 584
Type J	Fe	CuNi	IEC 584
Type L	Fe	CuNi	DIN 43710
Type T	Cu	CuNi	IEC 584
Type R/S	Cu	CuI	IEC 584
Type E	NiCr	CuNi	IEC 584
Type N	NiCrSi	NiSi	IEC 584
Pt100	Cu	Cu	IEC 751



**R-32**

Standard connector



**Order code**

Connector R-32-  I

Thermocouple type	
J	● Type J (Fe-CuNi)
K	● Type K (NiCr-Ni)
N	● Type N (NiCrSi-NiSi)
E	● Type E (NiCr-CuNi)
T	● Type T (Cu-CuNi)
R/S	● Type R/S (PtRh13%-Pt / PtRh10%-Pt)
Pt100	○ Type Cu (for resistance thermometers)
xxx	other, must be specified

