

| STANDARD PLUGS AND SOCKETS RATED TO +220°C

R-29, Standard connectors with round pins are designed for thermocouples and RTD sensors. Solid construction provides reliable connection even in demanding applications.

Technical data

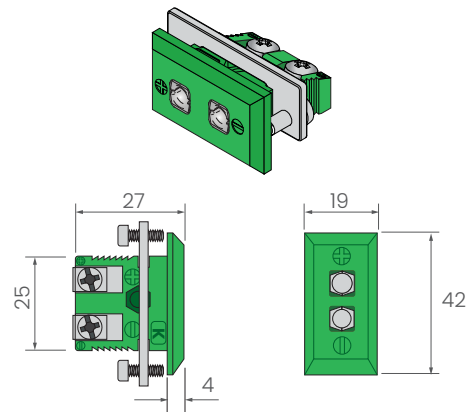
- High-quality housing resistant up to +220°C (R-29)
- Easy connection of wires
- Solid construction
- Wires diameter from Ø0.2 mm up to Ø2 mm
- Thermocouple type designated on housing
- Designed for assembly on RFS panel

Accessories

- For more details go to „Panel RFS”

Conductors material

TC type	Polarity +	Polarity -	Norm
Type K	NiCr	NiAl	IEC 584
Type J	Fe	CuNi	IEC 584
Type L	Fe	CuNi	DIN 43710
Type T	Cu	CuNi	IEC 584
Type R/S	Cu	CuI1	IEC 584
Type E	NiCr	CuNi	IEC 584
Type N	NiCrSi	NiSi	IEC 584
Pt100	Cu	Cu	IEC 751



R-29

Standard socket panel



Order code

Connector R-29- I

Thermocouple type	
J	● Type J (Fe-CuNi)
K	● Type K (NiCr-Ni)
N	● Type N (NiCrSi-NiSi)
E	● Type E (NiCr-CuNi)
T	● Type T (Cu-CuNi)
R/S	● Type R/S (PtRh13%-Pt / PtRh10%-Pt)
Pt100	○ Type Cu (for resistance thermometers)
xxx	other, must be specified

