

## Application

Designed for use as pipe thermowells of resistance thermometers and thermocouples.

Installation in measuring point by process flange or thread.

## Features

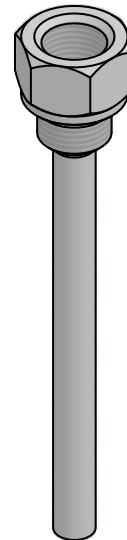
- Process flange acc. to following standards: EN 1092-1, DIN 2527, ASME B 16.5
- Instrument connection: thread G1/2", 1/2"NPT or other
- Immersion lengths: from 50 mm to 2500 mm (according to customer's specification)
- Tolerances acc. to DIN ISO 2768
- Maximal process pressure and temperature depends on thermowell material and rating of flange<sup>1)</sup>
- Thermowell material: 1.4401 ( AISI316 ), 1.4404 ( AISI316L ) 1.4541 ( AISI321 ), 1.4571 ( AISI316Ti )

## Options

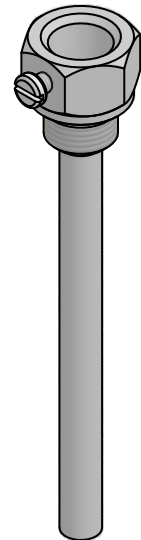
- CrC-layer coating possible for increase of resistance to attrition
- PTFE coating possible for increase of resistance to aggressive chemicals
- Certificates 3.1 acc. to EN 10204
- Versions per DIN 43772
- Other materials, flanges and dimensions

Rating depends on the parameters below:

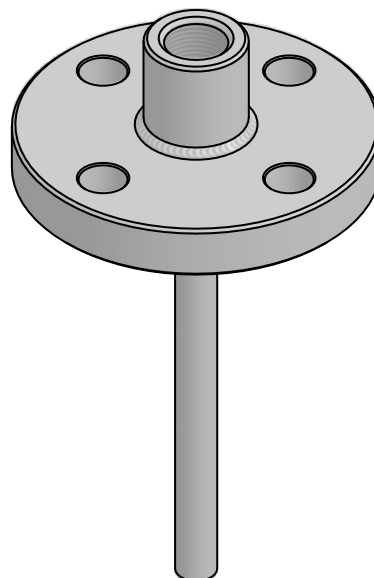
- Process medium
- Process pressure and temperature
- Flow rate
- Design of thermowell (dimensions, material)



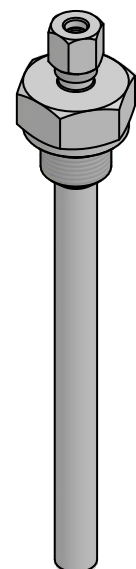
Pipe thermowell with process thread.  
Type OG-P.



Pipe thermowell with process thread and counter screw.  
Type OG-S.

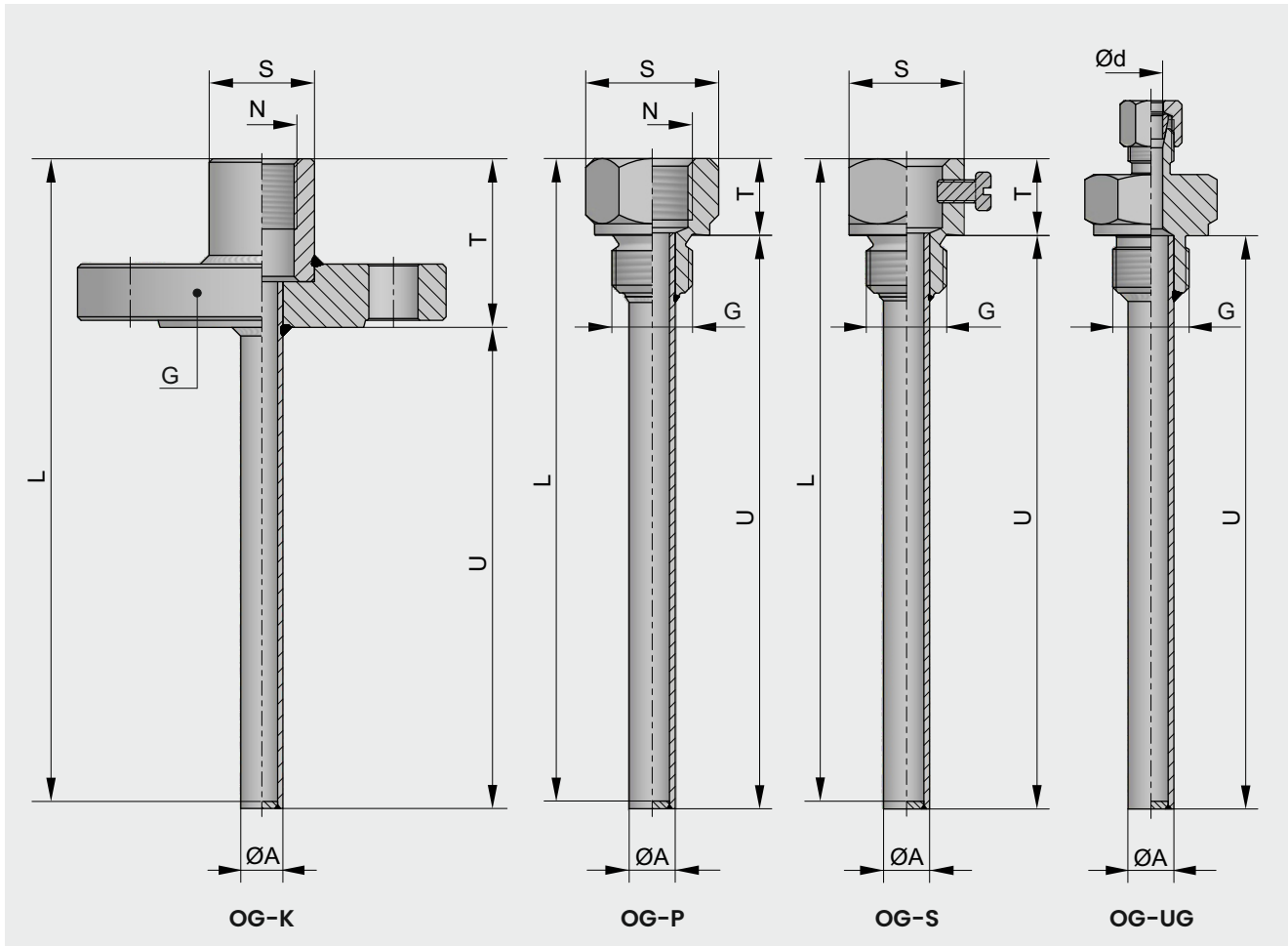


Pipe thermowell with flange.  
Type OG-K.



Pipe thermowell with process thread and clamp nut.  
Type OG-UG.

Designs



Ordering code

OG -  -  -  -  -  -  -  -  -  -

1	<input type="text"/>	<b>Design</b>	
		K	thermowell with flange
		P	thermowell with process thread
		S	thermowell with process thread and counter screw
		UG	thermowell with process thread and clamp nut
2	<input type="text"/>	<b>Process connection G</b>	
		xxx	specify type of thread or flange
3	<input type="text"/>	<b>Thermowell material</b>	
		xxx	to be specified
4	<input type="text"/>	<b>Diameter ØA</b>	
		xxx	to be specified in millimeters
5	<input type="text"/>	<b>Instrument connection N (only for type OG-K, OG-P)</b>	
		xxx	specify type of thread
6	<input type="text"/>	<b>Immersion length U</b>	
		xxx	to be specified in millimeters
7	<input type="text"/>	<b>Length T</b>	
		xxx	to be specified in millimeters
8	<input type="text"/>	<b>Diameter or Hex S</b>	
		xxx	to be specified
9	<input type="text"/>	<b>Thermometer diameter Ød (only for type OG-UG)</b>	
		xxx	to be specified in millimeters