

CONNECTORS

FOR THERMOCOUPLES AND RESISTANCE THERMOMETERS



Catalogue | Edition 2023

MINIATURE PLUGS AND SOCKETS RATED TO +220°C

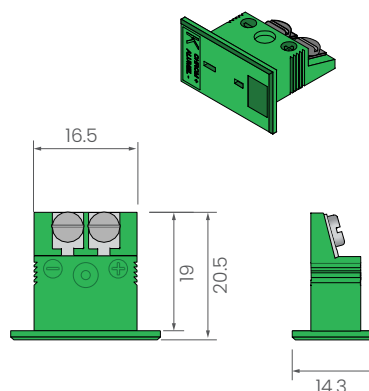
MPJ, Miniature socket panel MPJ is designed for self assembly in special prepared holes. MPJ panel is mainly used in laboratories, etc.

Technical data

- High-quality housing resistant up to +200°C (MPJ)
- Easy connection of wires
- Solid construction
- Wires diameter up to $\varnothing 0.6$ mm
- Thermocouple type designated on housing
- Designed for assembly on MPJ panel

Accessories

- For more details go to „Panel MPJ“



MPJ

Miniature Socket Panel

Conductors material

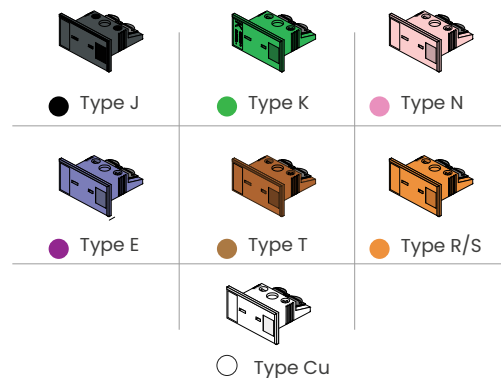
TC type	Polarity +	Polarity -	Norm
Type K	NiCr	NiAl	IEC 584
Type J	Fe	CuNi	IEC 584
Type L	Fe	CuNi	DIN 43710
Type T	Cu	CuNi	IEC 584
Type R/S	Cu	CuII	IEC 584
Type E	NiCr	CuNi	IEC 584
Type N	NiCrSi	NiSi	IEC 584
Pt100	Cu	Cu	IEC 751



Order code

Socket MPJ -

Thermocouple type	
J	● Type J (Fe-CuNi)
K	● Type K (NiCr-Ni)
N	● Type N (NiCrSi-NiSi)
E	● Type E (NiCr-CuNi)
T	● Type T (Cu-CuNi)
R/S	● Type R/S (PtRh13%-Pt / PtRh10%-Pt)
xxx	other, must be specified



CONNECTORS