

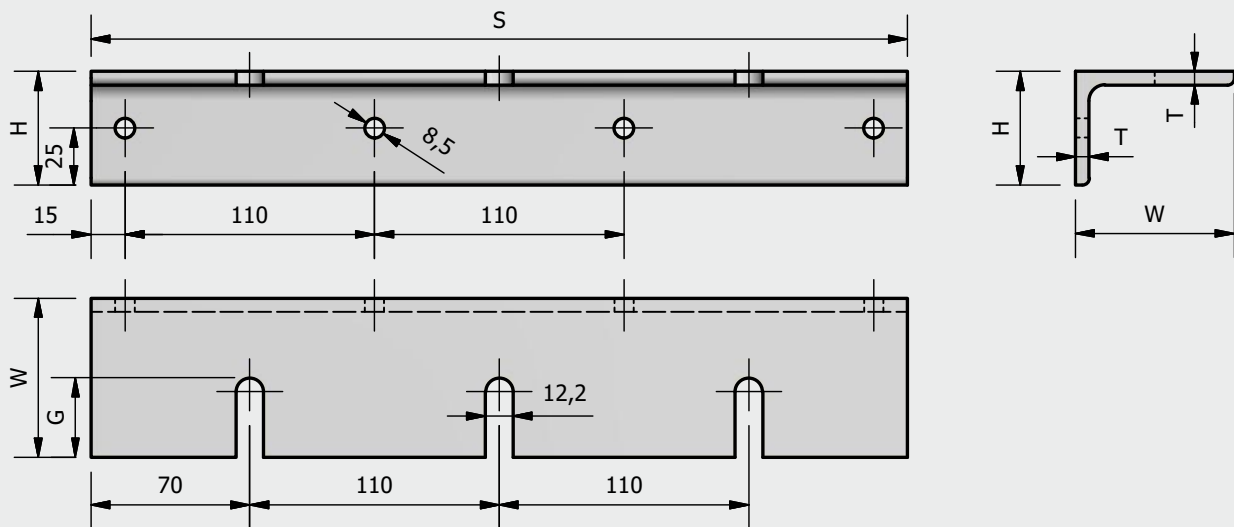
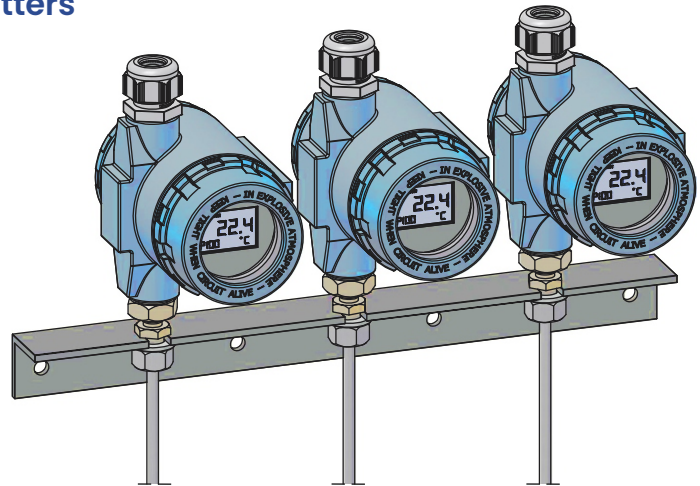
### Installation comb for TWR01H transmitters

Used as a comb that allows installation of 2 to 8 TWR01H transmitters in a row. The comb can be welded or screwed to a frame or other steel construction on site.

The comb can be fitted with fastening UMG aligned with the respective sensor diameter on request.

### Material

Galvanized steel (as standard).

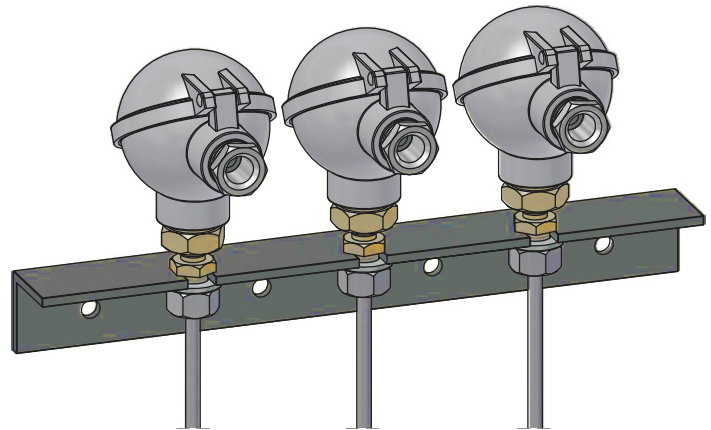


Connection head type	Dimension W [mm]	Dimension H [mm]	Dimension T [mm]	Dimension G [mm]
TWR01H	100	50	6	50

**Installation combs for connection heads**

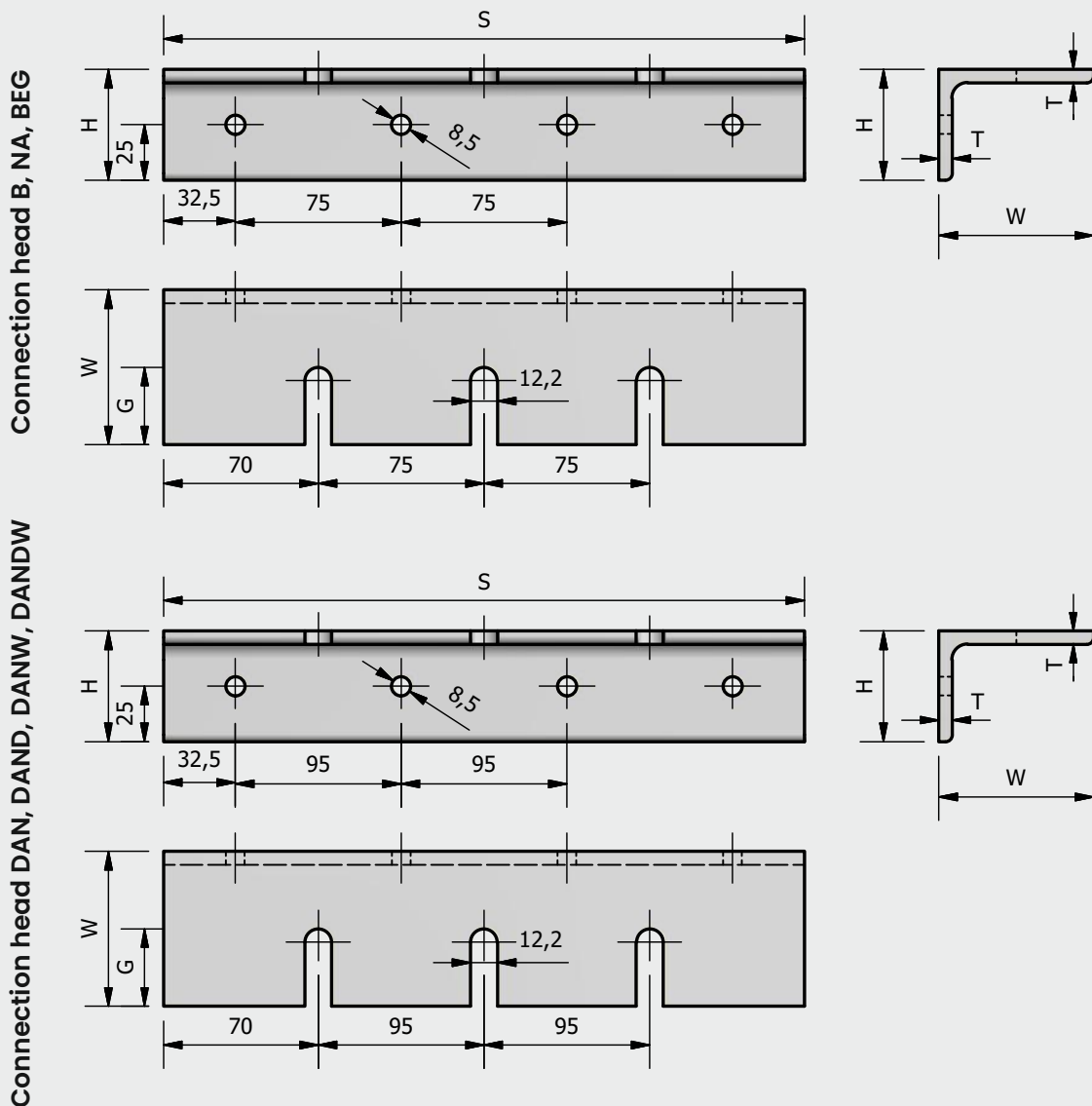
used as a comb that allows installation of 2 to 8 connection heads in a row. Distances between the sockets are adapted for heads type B, NA, DAN, DAND, DANW, DANDW, BEG. The comb can be welded or screwed to a frame or other steel construction on site.

The comb can be fitted with fastening UMG aligned with the respective sensor diameter on request.



**Material**

Galvanized steel (as standard).



Connection head type	Dimension W [mm]	Dimension H [mm]	Dimension T [mm]	Dimension G [mm]
B, NA, BEG	75	50	6	20
DAN, DAND, DANW, DANDW	100	50	6	50

No. of connection heads	Comb for TWR01H Dimension S [mm]	Comb for B, NA, BEG Dimension S [mm]	Comb for DAN, DAND, DANW, DANDW Dimension S [mm]
2	250	215	235
3	360	290	330
4	470	365	425
5	580	440	520
6	690	515	615
7	800	590	710
8	910	665	805

**Ordering code**

GMG -  -  -

1	<input type="text"/>	<b>Type of connection head</b>	
		TWR01H	Transmitter with local LCD display - TWR01H
		B	Connection head type B
		NA	Connection head type NA
		DAN	Connection head type DAN
		DAND	Connection head type DAND
		DANW	Connection head type DANW
		DANDW	Connection head type DANDW
		BEG	Connection head type BEG
xxx	other, please specify		
2	<input type="text"/>	<b>No. of connection heads</b>	
		xxx	to be specified
3	<input type="text"/>	<b>Type of profile ( width W x height H )</b>	
		75x50	75 x 50 mm
		100x50	100 x 50 mm