

CONNECTORS

FOR THERMOCOUPLES AND RESISTANCE THERMOMETERS

MINIATURE PLUGS AND SOCKETS RATED TO +220°C

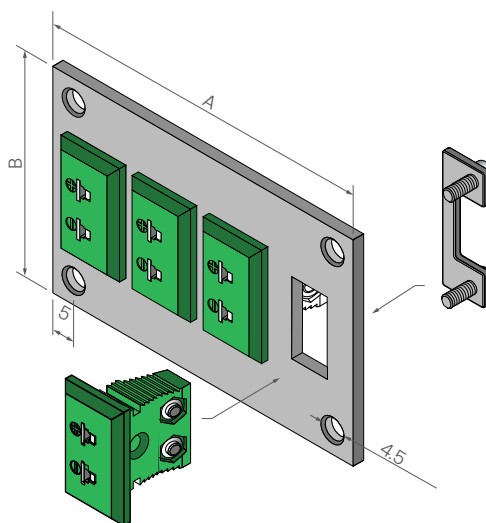
FFS, Miniature socket panel FFS is designed for self assembly in special prepared holes. FFS panel is mainly used in laboratories, etc.

Features

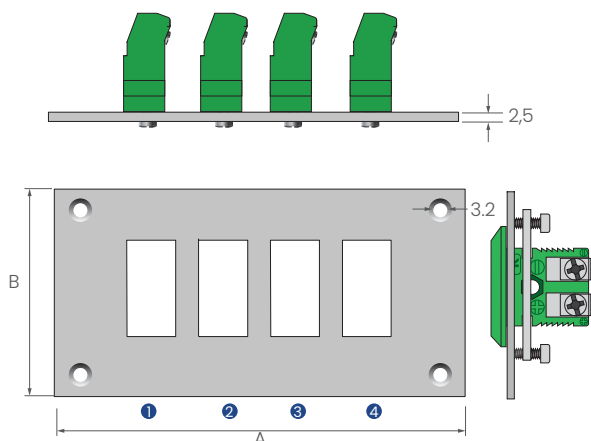
- High quality panel made out of anodised aluminum plate
- Designed for self assembly
- Solid construction
- Suitable for use with miniature connectors F-29

Accessories

- Miniature connectors should be ordered separately
- For more details go to „Miniature connector F-29“



FFS
Panel



Order code

Panel FFS -

	Code	Sockets amount (measuring circuits)	Rows amount	Dimensions A x B
1 <input type="text"/>	01	1 circuits	1	23.5 x 47 mm
	02	2 circuits	1	40 x 47 mm
	04	4 circuits	1	72 x 47 mm
	06	6 circuits	1	104 x 47 mm
	08	8 circuits	1	136 x 47 mm
	10	10 circuits	1	168 x 47 mm
	12	12 circuits	1	200 x 47 mm
	16	16 circuits	2	136 x 78 mm
	20	20 circuits	2	168 x 78 mm
	24	24 circuits	2	200 x 78 mm

