

CONNECTORS

FOR THERMOCOUPLES AND RESISTANCE THERMOMETERS

MINIATURE PLUGS AND SOCKETS RATED TO +220°C

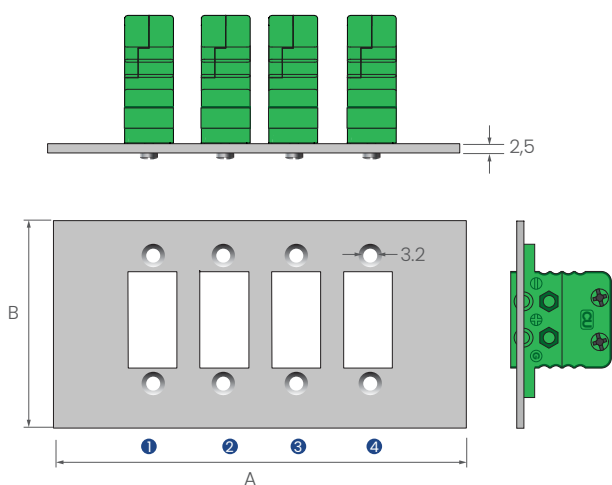
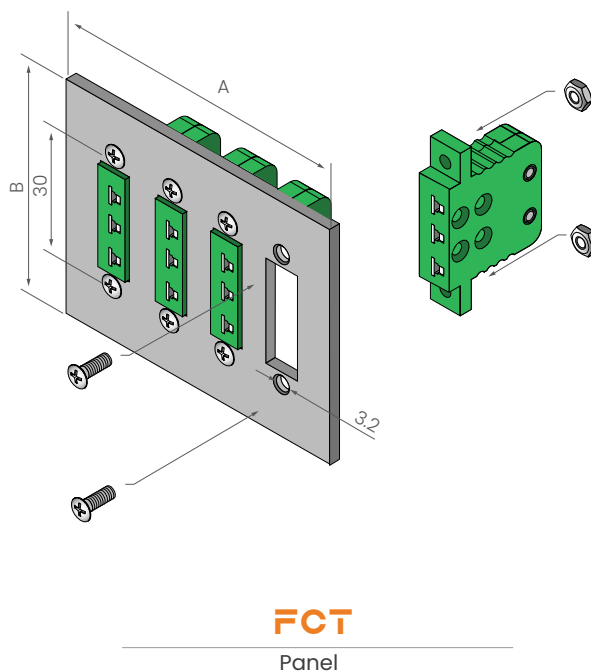
FCT, Miniature socket panel FCT is designed for self assembly in special prepared holes. FCT panel is mainly used in laboratories, etc.

Features

- High quality panel made out of anodised aluminum plate
- Designed for self assembly
- Solid construction
- Suitable for use with miniature connectors F-31

Accessories

- Miniature connectors should be ordered separately
- For more details go to „Miniature connector F-31”



Order code

Panel FCT - 1

Code	Sockets amount (measuring circuits)	Rows amount	Dimensions A x B
02	2 circuits	1	39 x 55 mm
04	4 circuits	1	71 x 55 mm
06	6 circuits	1	103 x 55 mm
12	12 circuits	1	199 x 55 mm

