

# CONNECTORS

FOR THERMOCOUPLES AND RESISTANCE THERMOMETERS

## ANODISED ALUMINIUM PANELS

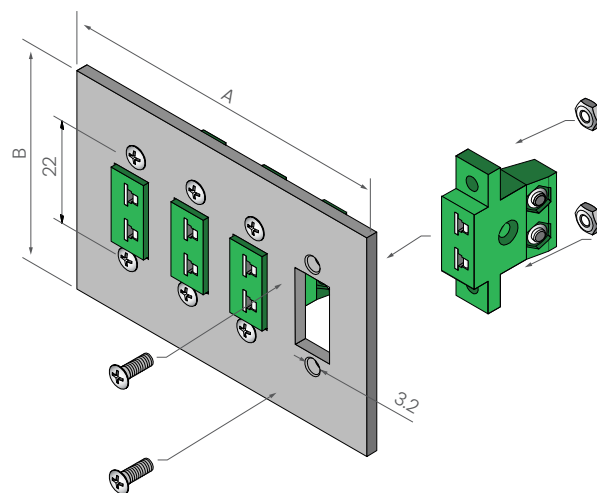
**FCP**, Miniature socket panel FCP is designed for self assembly in special prepared holes. FCP panel is mainly used in laboratories, etc.

### Features

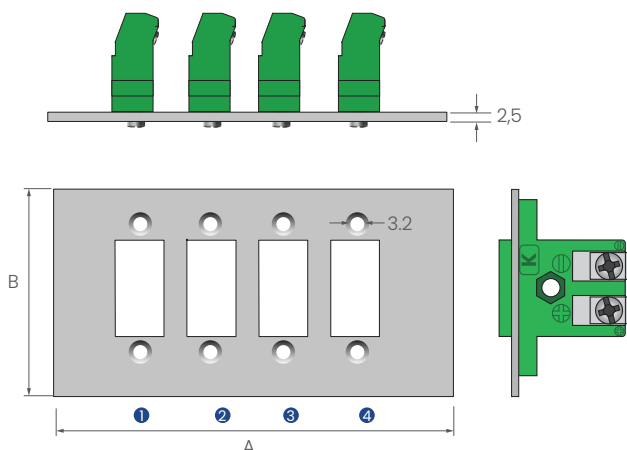
- High quality panel made out of anodised aluminum plate
- Designed for self assembly
- Solid construction
- Suitable for use with miniature connectors F-27

### Accessories

- Miniature connectors should be ordered separately
- For more details go to „Miniature connector F-27“



**FCP**  
Panel



### Order code

Panel FCP -  1

Code	Sockets amount (measuring circuits)	Rows amount	Dimensions A x B
01	1 circuits	1	23.5 x 47 mm
02	2 circuits	1	40 x 47 mm
04	4 circuits	1	72 x 47 mm
06	6 circuits	1	104 x 47 mm
08	8 circuits	1	136 x 47 mm
10	10 circuits	1	168 x 47 mm
12	12 circuits	1	200 x 47 mm

