

CONNECTORS

FOR THERMOCOUPLES AND RESISTANCE THERMOMETERS



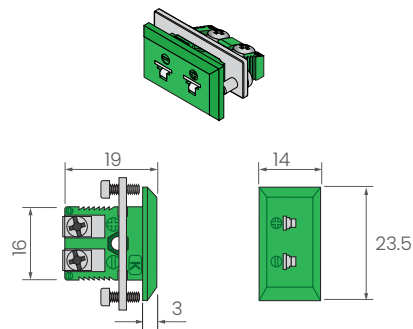
Catalogue | Edition 2023

MINIATURE PLUGS AND SOCKETS RATED TO +220°C

F-29, Miniature socket panel F-29 is designed for self assembly in special prepared holes. F-29 panel is mainly used in laboratories, etc.

Technical data

- High-quality housing resistant up to +220°C(F-29)
- Easy connection of wires
- Solid construction
- Wires diameter up to Ø0.6 mm
- Thermocouple type designated on housing
- Designed for assembly on FFS panel



Accessories

- For more details go to „Panel FFS”

Conductors material

TC type	Polarity +	Polarity -	Norm
Type K	NiCr	NiAl	IEC 584
Type J	Fe	CuNi	IEC 584
Type L	Fe	CuNi	DIN 43710
Type T	Cu	CuNi	IEC 584
Type R/S	Cu	CuI1	IEC 584
Type E	NiCr	CuNi	IEC 584
Type N	NiCrSi	NiSi	IEC 584
Pt100	Cu	Cu	IEC 751

F-29

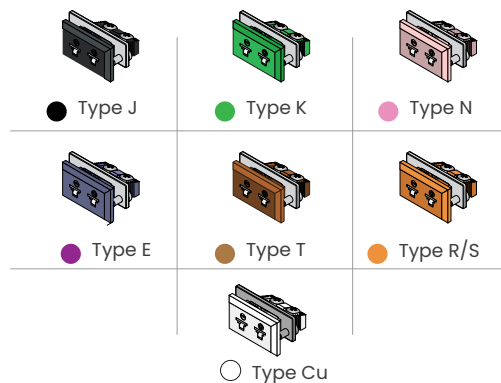
Miniature socket panel



Order code

Socket F - 29 - I

Thermocouple type	
J	● Type J (Fe-CuNi)
K	● Type K (NiCr-Ni)
N	● Type N (NiCrSi-NiSi)
E	● Type E (NiCr-CuNi)
T	● Type T (Cu-CuNi)
R/S	● Type R/S (PtRh13%-Pt / PtRh10%-Pt)
xxx	other, must be specified



CONNECTORS