

CONNECTORS

FOR THERMOCOUPLES AND RESISTANCE THERMOMETERS



Catalogue | Edition 2023

MINIATURE PLUGS AND SOCKETS RATED TO +220°C

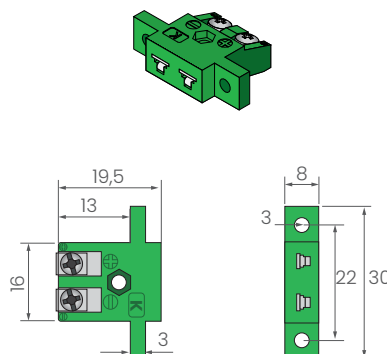
F-27, Miniature socket panel F-27 is designed for self assembly in special prepared holes. F-27 panel is mainly used in laboratories, etc.

Technical data

- High-quality housing resistant up to +220°C(F-27)
- Easy connection of wires
- Solid construction
- Wires diameter up to Ø0.6 mm
- Thermocouple type designated on housing
- Designed for assembly on FCP panel

Accessories

- For more details go to „Panel FCP”



Conductors material

| TC type | Polarity + | Polarity - | Norm |
|----------|------------|------------|-----------|
| Type K | NiCr | NiAl | IEC 584 |
| Type J | Fe | CuNi | IEC 584 |
| Type L | Fe | CuNi | DIN 43710 |
| Type T | Cu | CuNi | IEC 584 |
| Type R/S | Cu | CuI1 | IEC 584 |
| Type E | NiCr | CuNi | IEC 584 |
| Type N | NiCrSi | NiSi | IEC 584 |
| Pt100 | Cu | Cu | IEC 751 |

F-27

Miniature socket panel



Order code

Socket F - 27 - I

| Thermocouple type | |
|-------------------|---|
| J | ● Type J (Fe-CuNi) |
| K | ● Type K (NiCr-Ni) |
| N | ● Type N (NiCrSi-NiSi) |
| E | ● Type E (NiCr-CuNi) |
| T | ● Type T (Cu-CuNi) |
| R/S | ● Type R/S (PtRh13%-Pt / PtRh10%-Pt) |
| Pt100 | ○ Type Cu (for resistance thermometers) |
| xxx | other, must be specified |



CONNECTORS