

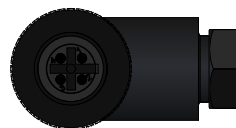
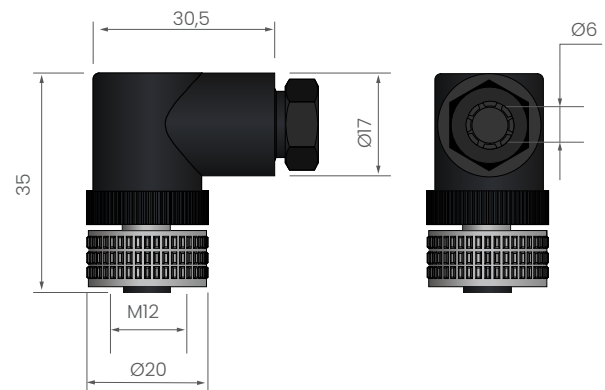
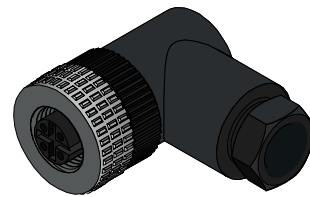
## CONNECTOR M12 HIRSCHMANN

### Application

Connector M12 Hirschmann 4-pin socket is designed for RTD sensors. Threaded connection with plug prevents of accidental disconnection of connectors and it is rated of IP67 protection class according to IEC 60529 standard.

### Features

- High-quality polyamide housing resistant up to +90°C (M12 Hirschmann)
- Threaded connection with Hirschmann M12 plug
- Designed for self assembly
- Solid construction
- Cable accommodation diameter:  $\varnothing 4 - \varnothing 6$  mm
- Cable gland thread: PG7
- Straight circular housing
- IP67 degree of protection class (according to IEC 60529)
- 4-pin socket made out of brass
- Angled housing



**M12**

Connector M12 Hirschmann

### Order code

Connector M12 Hirschmann -

Connector type	
1 <input type="text"/>	ELWIKA 4012PG7 4-pin socket, angled housing

