

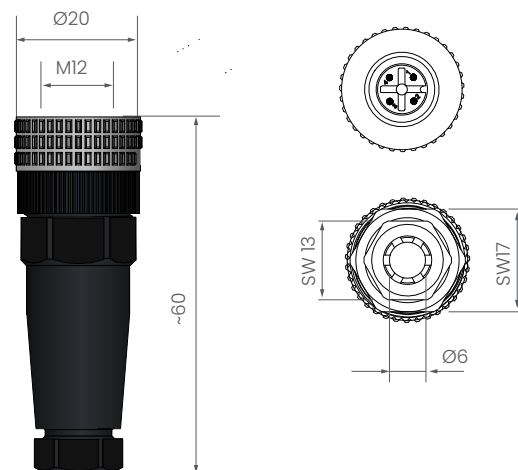
CONNECTOR M12 HIRSCHMANN

Application

Connector M12 Hirschmann 4-pin socket is designed for RTD sensors. Threaded connection with plug prevents of accidental disconnection of connectors and it is rated of IP67 protection class according to IEC 60529 standard

Features

- High-quality polyamide housing resistant up to +90°C (M12 Hirschmann)
- Threaded connection with Hirschmann M12 plug
- Designed for self assembly
- Solid construction
- Cable accommodation diameter: $\varnothing 4 - \varnothing 6$ mm
- Cable gland thread: PG7
- Straight circular housing
- IP67 degree of protection class (according to IEC 60529)
- 4-pin socket made out of brass
- Straight circular housing



M12

Connector M12 Hirschmann

Order code

Connector M12 Hirschmann -

Connector type	
1 <input type="text"/>	ELKA 4012PG7 4-pin socket, straight circular housing

