

Features

- Standard lengths: 80 mm, 145 mm, 165 mm, 250 mm
- Process connection: metric, inch, conical NPT
- Other versions available upon request

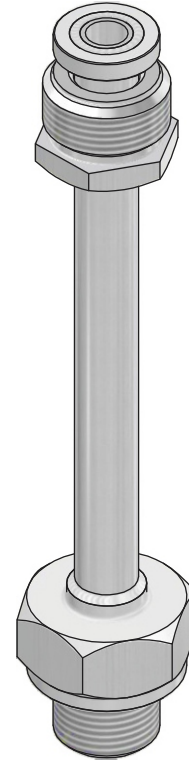
Description

Neck extension EDO is a part between outer thermowell and connection head of sensor. The neck protects against influence of process temperature to connection head and temperature transmitter installed inside the head. Standard lengths are 80 mm, 145 mm, 165 mm and 250 mm.

Other lengths may be available upon request. Moveable screw provides rotation of the connection head.

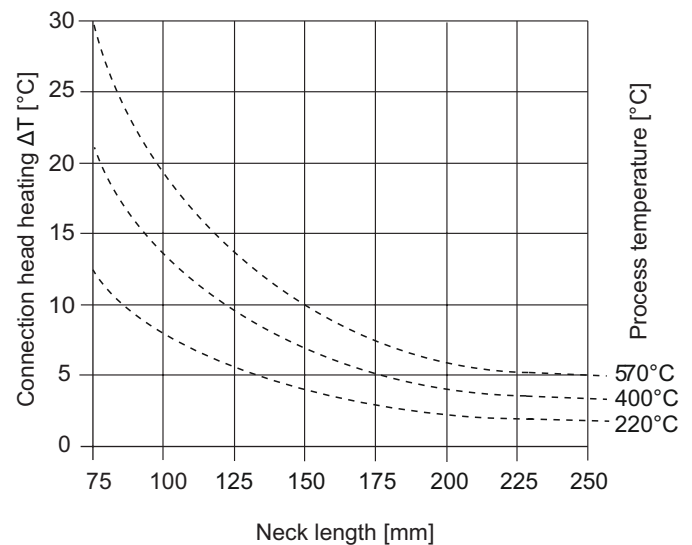
Material

Stainless steel 1.4301 (AISI304)

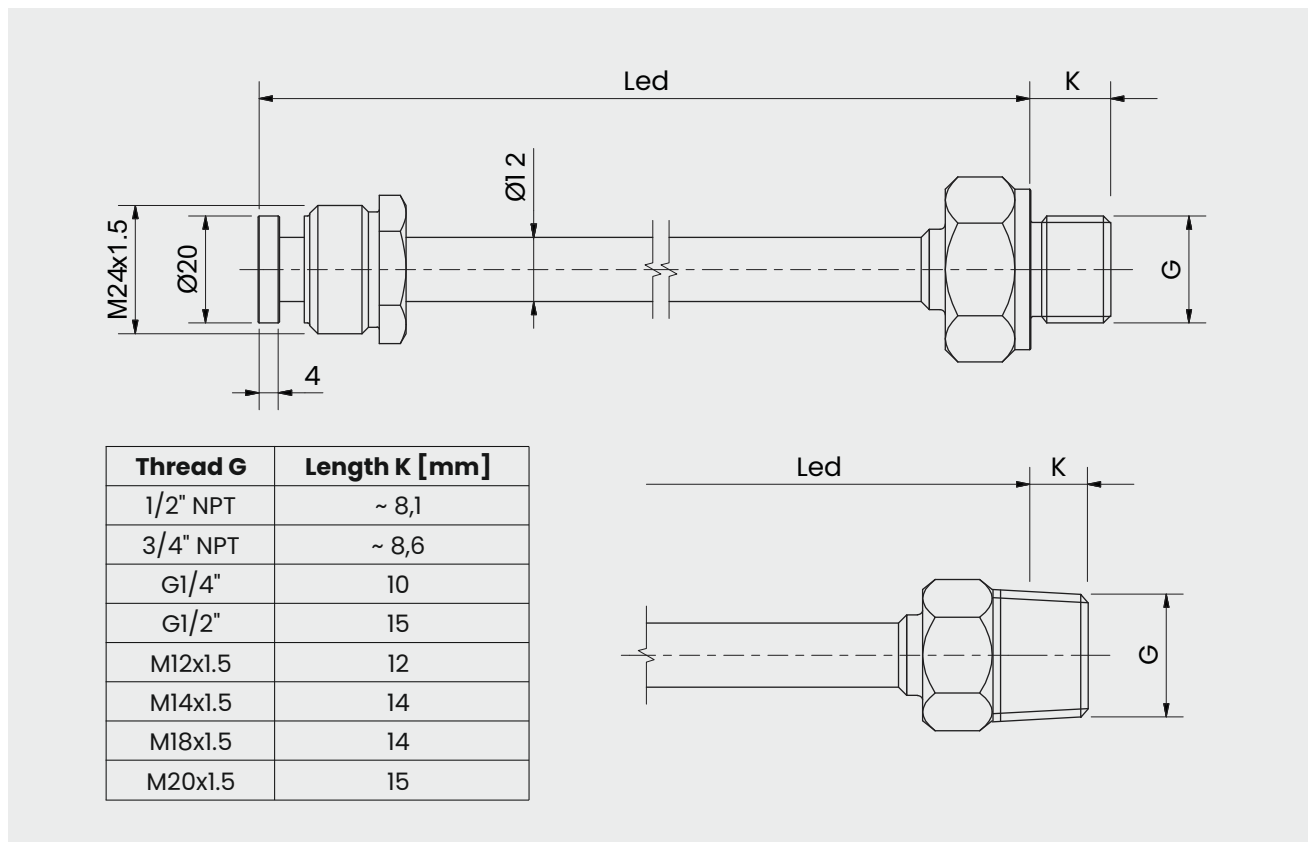


Heating of the terminal head consequent to the process temperature. Temperature in terminal head = ambient temperature 20 °C (68 °F) + ΔT .

As illustrated in the following figure, the neck tube length may influence the temperature in the connection head. It is necessary that this temperature is kept within the limit values defined in transmitter and connection head operating conditions.



Design



Ordering code

EDO - - -

1	<input type="text"/>	Measuring insert diameter	
		3	Ø3 mm
		4.5	Ø4.5 mm
		6	Ø6 mm
		xxx	other, please specify
2	<input type="text"/>	Process connection	
		M12x1.5	M12 x 1.5
		M14x1.5	M14 x 1.5
		M16x1.5	M16 x 1.5
		M18x1.5	M18 x 1.5
		M20x1.5	M20 x 1.5
		G1/4	G1/4"
		G1/2	G1/2"
		1/2NPT	1/2"NPT
		xxx	other, please specify
3	<input type="text"/>	Neck length Led [mm]	
		80	80 mm
		165	165 mm
		250	250 mm