

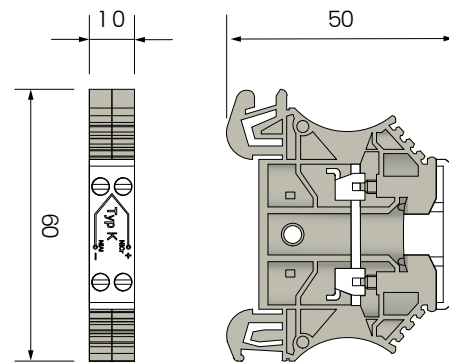
DIN RAIL MOUNTED TERMINAL BLOCK DTB

Application

DIN rail mounted terminal block DTB is designed to allow users to connect thermocouple wire or cables on a DIN rail mounting system. Input and output terminals are situated at the top and the bottom of the block and are linked using the appropriate thermocouple material.

Technical data

- High-quality housing resistant up to +135°C (DTB)
- Easy connection of wires
- Solid construction
- Designed for self assembly
- Thermocouple type designated on housing
- Designed for assembly on standard DIN rail TS35 (35mm x 7.5mm).



DTB

DIN rail terminal block

Conductors material

TC type	Polarity +	Polarity -	Norm
Type K	NiCr	NiAl	IEC 584
Type J	Fe	CuNi	IEC 584
Type L	Fe	CuNi	DIN 43710
Type T	Cu	CuNi	IEC 584
Type R/S	Cu	Cu11	IEC 584
Type E	NiCr	CuNi	IEC 584
Type N	NiCrSi	NiSi	IEC 584



Order code

Terminal block DTB - 1

Thermocouple type	
J	● Type J (Fe-CuNi)
K	● Type K (NiCr-Ni)
N	● Type N (NiCrSi-NiSi)
E	● Type E (NiCr-CuNi)
T	● Type T (Cu-CuNi)
R/S	● Type R/S (PtRh13%-Pt / PtRh10%-Pt)
END	End plate
xxx	other, must be specified